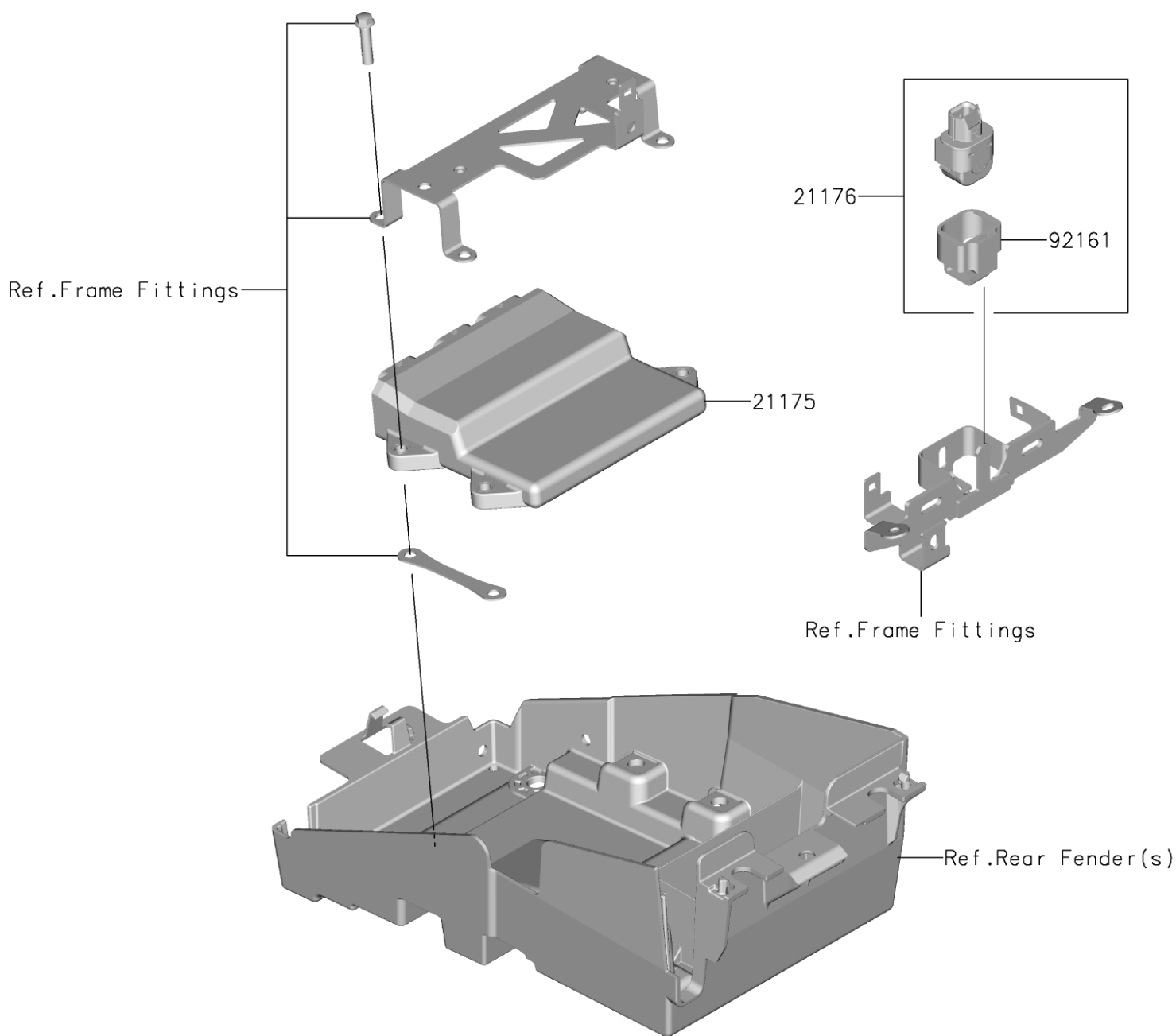


2024 NINJA® e-1 ABS

PARTS DIAGRAM

Chassis Electrical Equipment-3

F2760B



2024 NINJA[®] e-1 ABS

PARTS LIST

Chassis Electrical Equipment-3

ITEM NAME

PART NUMBER

QUANTITY
