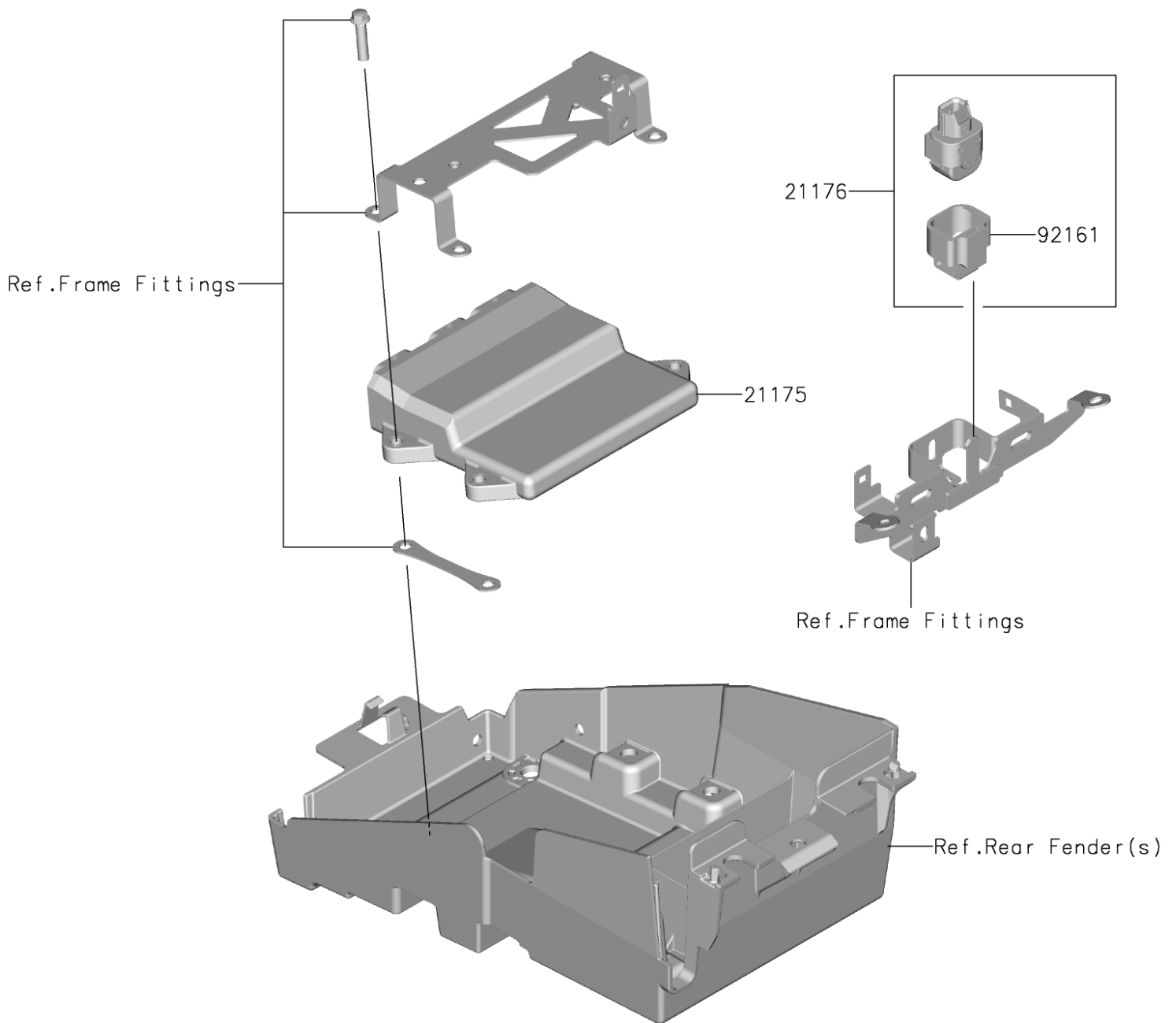


# 2024 Z e-1 ABS

## PARTS DIAGRAM

### Chassis Electrical Equipment-3

F2760B



# 2024 Z e-1 ABS

## PARTS LIST

### Chassis Electrical Equipment-3

**ITEM NAME**

**PART NUMBER**

**QUANTITY**

---