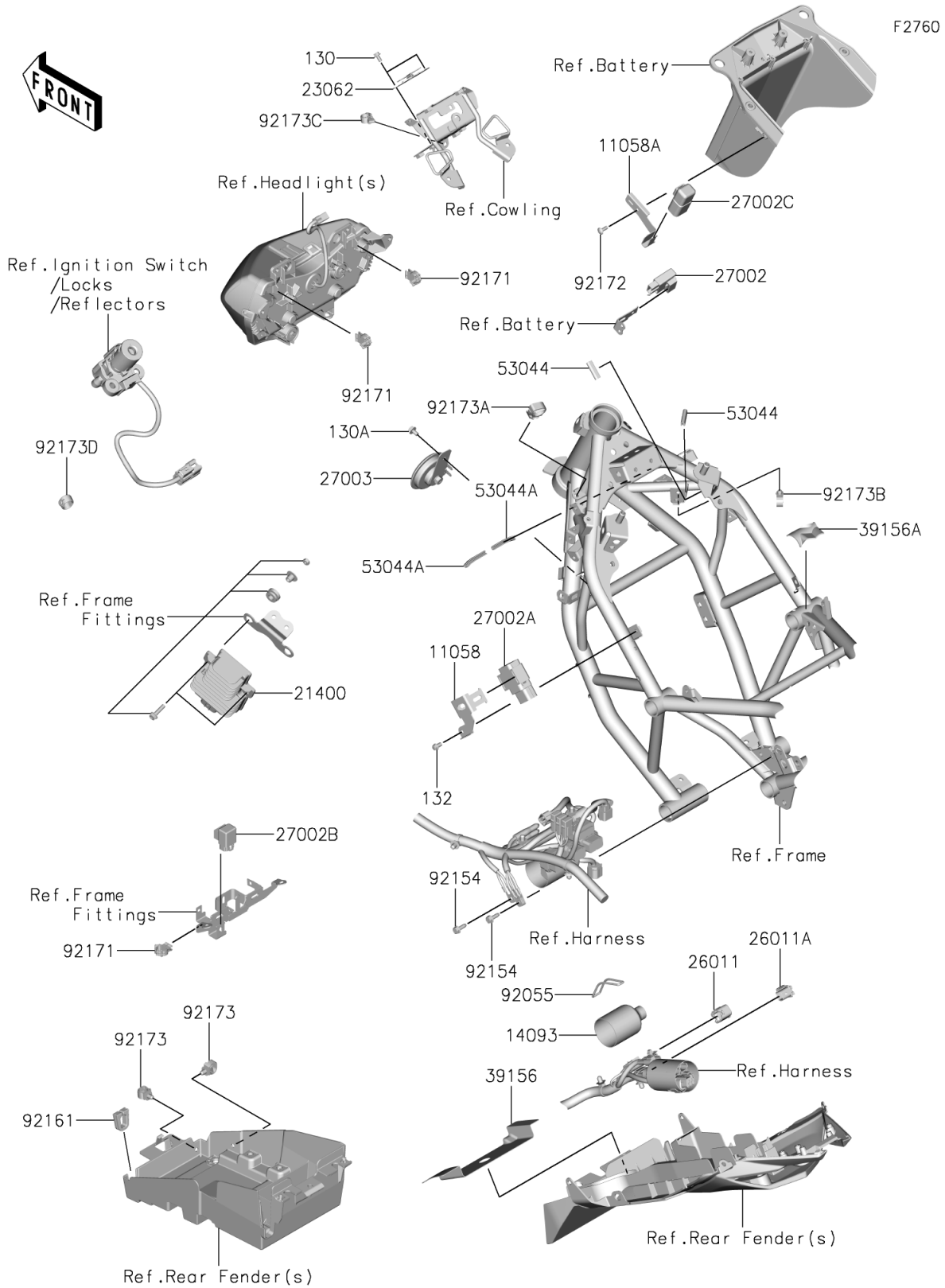


2024 Z e-1 ABS

PARTS DIAGRAM

Chassis Electrical Equipment-1



2024 Z e-1 ABS

PARTS LIST

Chassis Electrical Equipment-1

ITEM NAME

PART NUMBER

QUANTITY
