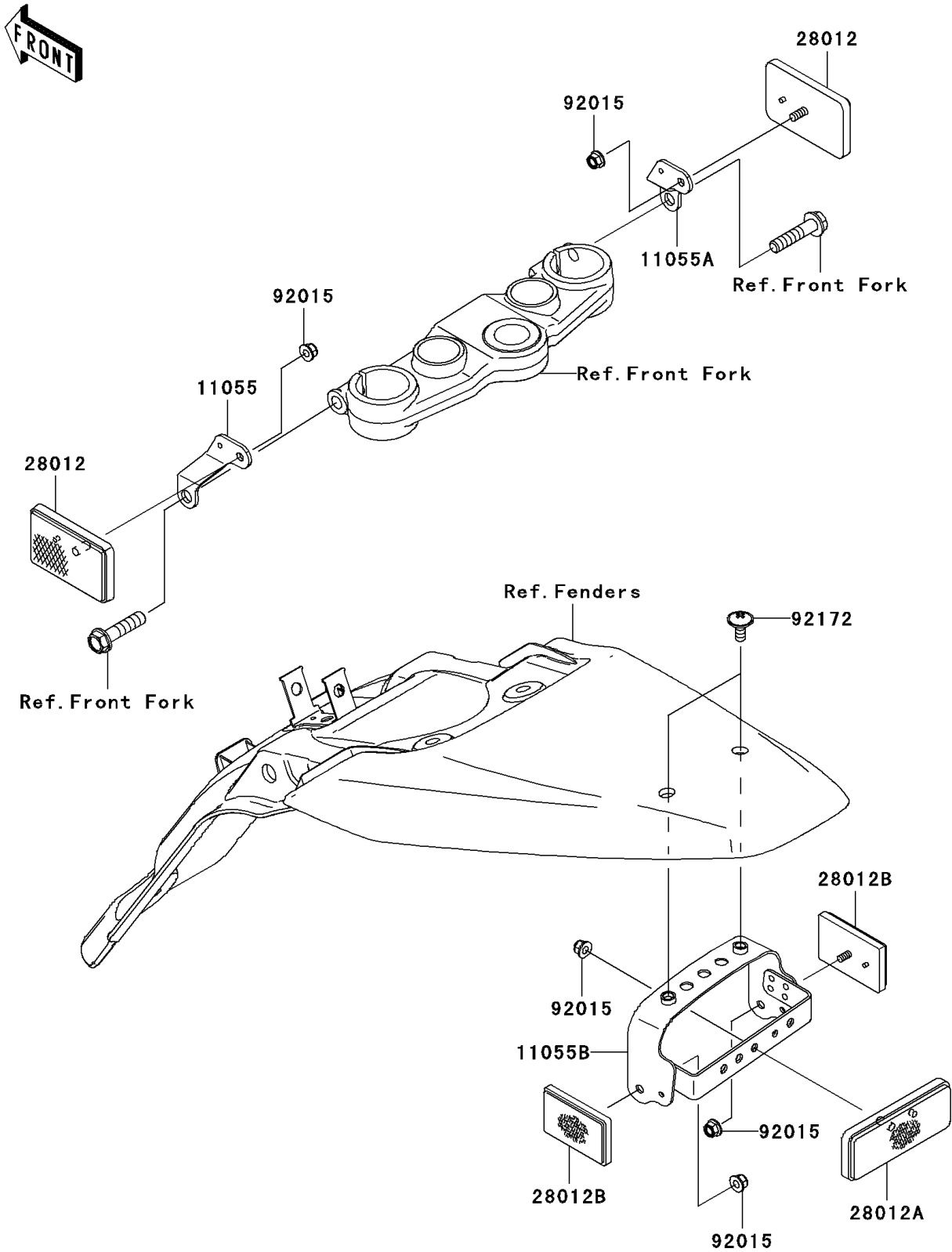


2008 KLX[®]140L

PARTS DIAGRAM

Reflectors(B8F/B9F/BAF/BBF)(CN)

F2790



2008 KLX[®]140L

PARTS LIST

Reflectors(B8F/B9F/BAF/BBF)(CN)

ITEM NAME

PART NUMBER

QUANTITY
