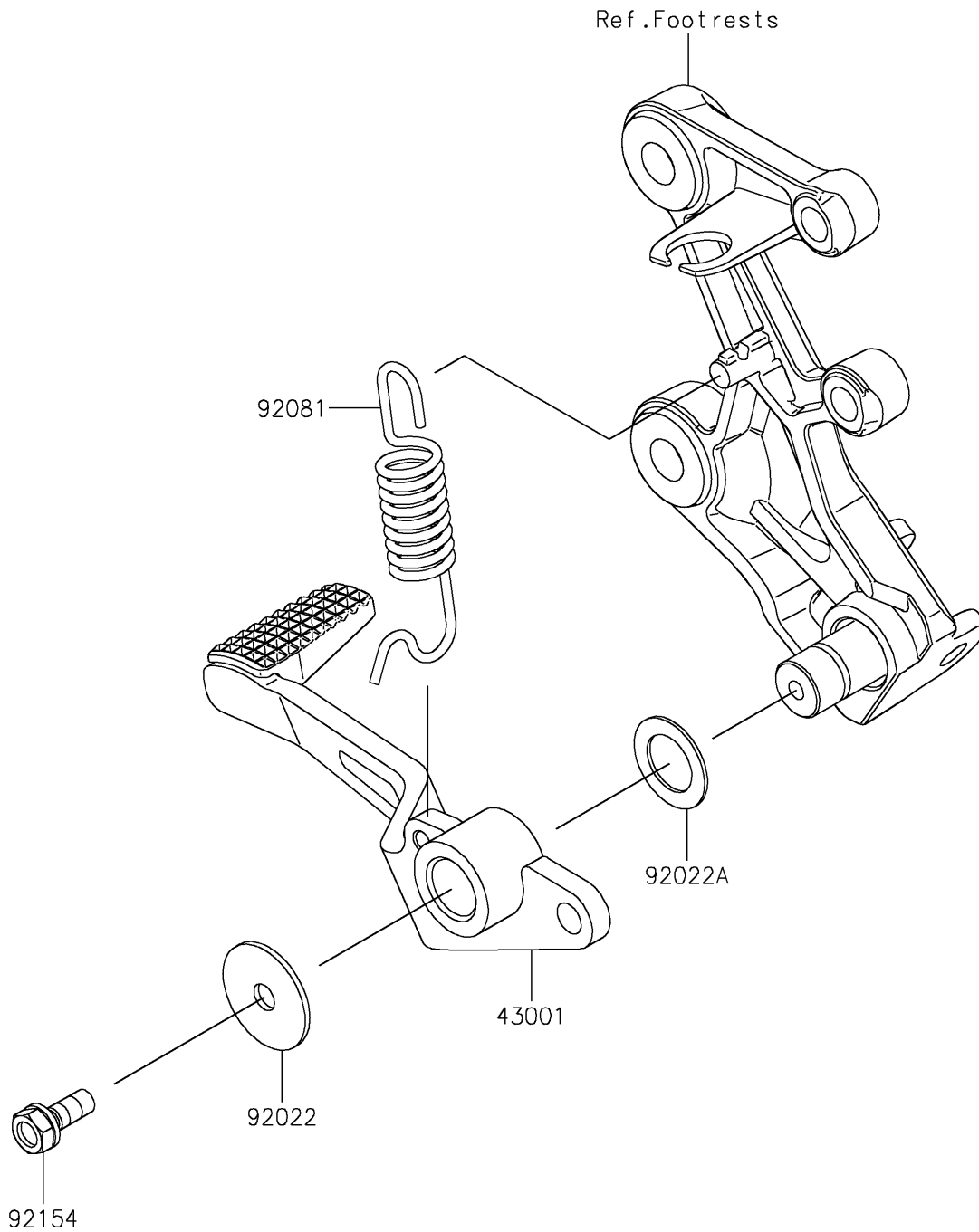


# 2023 Ninja® 400 ABS

## PARTS DIAGRAM

### Brake Pedal/Torque Link

F2260



# 2023 Ninja® 400 ABS

## PARTS LIST

### Brake Pedal/Torque Link

**ITEM NAME**

**PART NUMBER**

**QUANTITY**

---