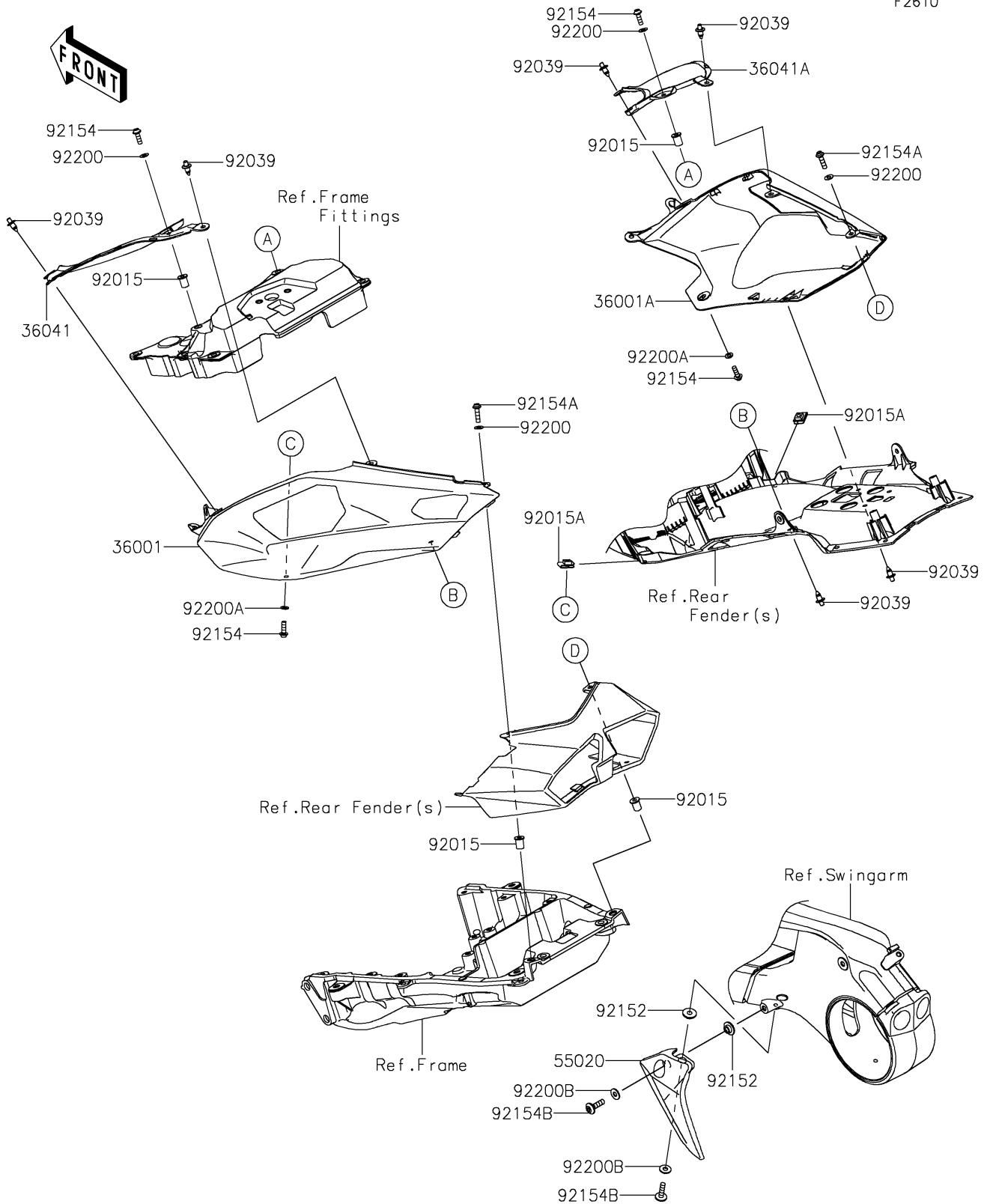


2023 NINJA H2[®] SX SE

PARTS DIAGRAM

Side Covers/Chain Cover

F2610



2023 NINJA H2[®] SX SE

PARTS LIST

Side Covers/Chain Cover

ITEM NAME

PART NUMBER

QUANTITY
