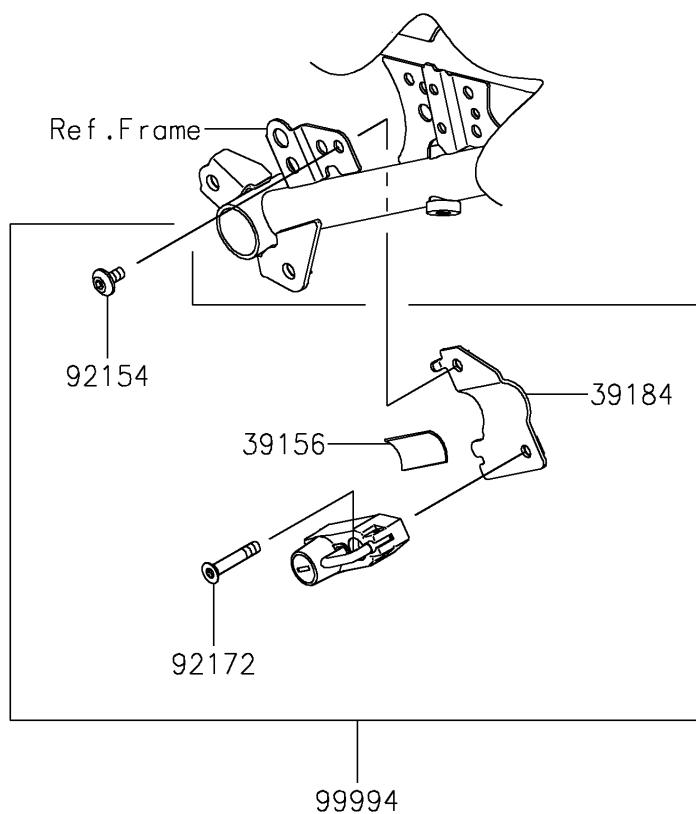


# 2022 NINJA® 400

## PARTS DIAGRAM

### Accessory(Helmet Lock)

F2910F



# 2022 NINJA<sup>®</sup> 400

## PARTS LIST

Accessory(Helmet Lock)

**ITEM NAME**

**PART NUMBER**

**QUANTITY**

---