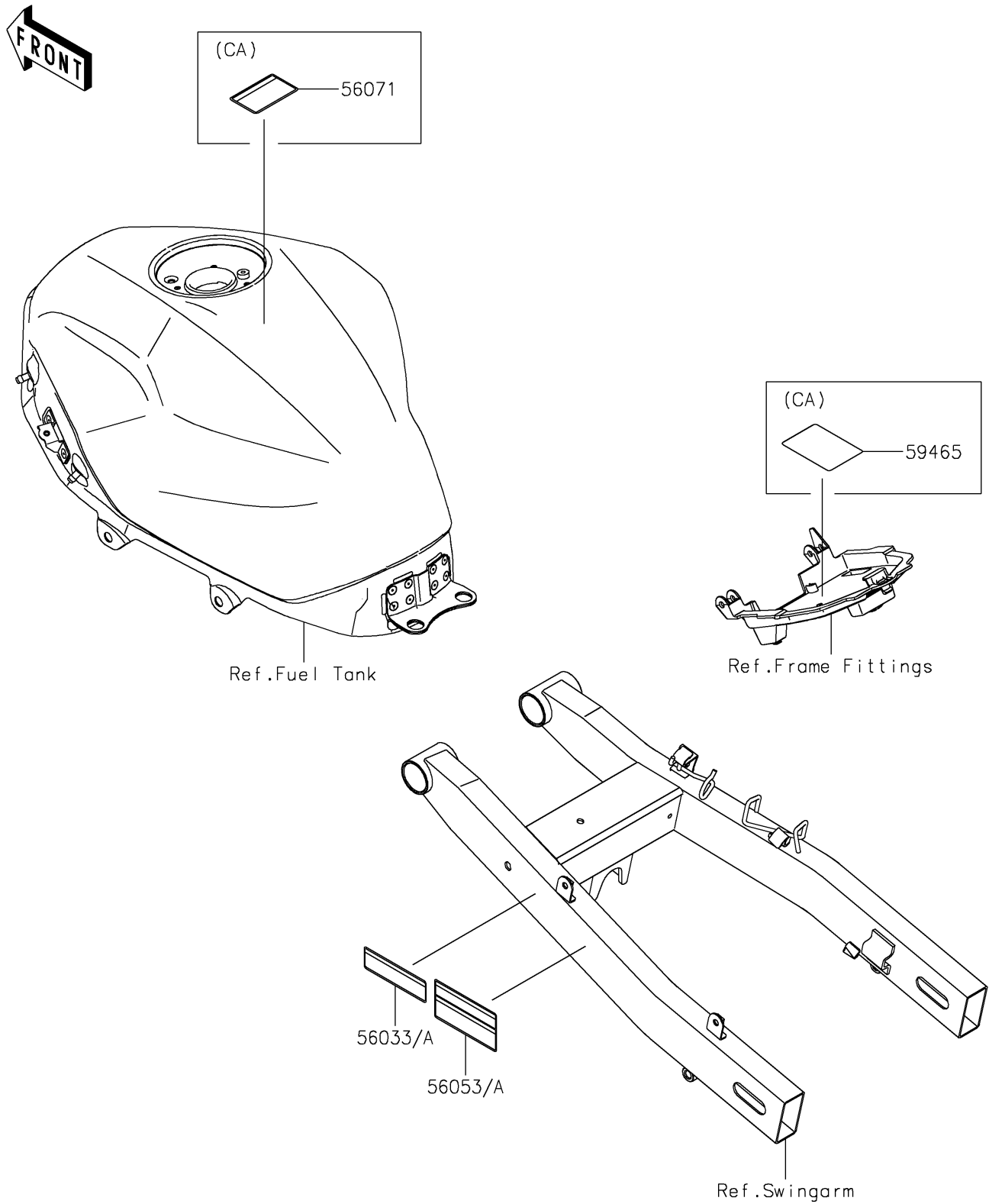


2022 NINJA® 400 ABS KRT EDITION

PARTS DIAGRAM

Labels

F2860



2022 NINJA® 400 ABS KRT EDITION



PARTS LIST

Labels

ITEM NAME	PART NUMBER	QUANTITY
-----------	-------------	----------
