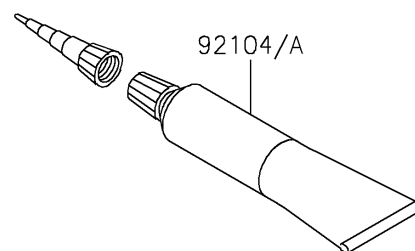
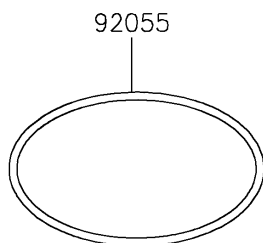
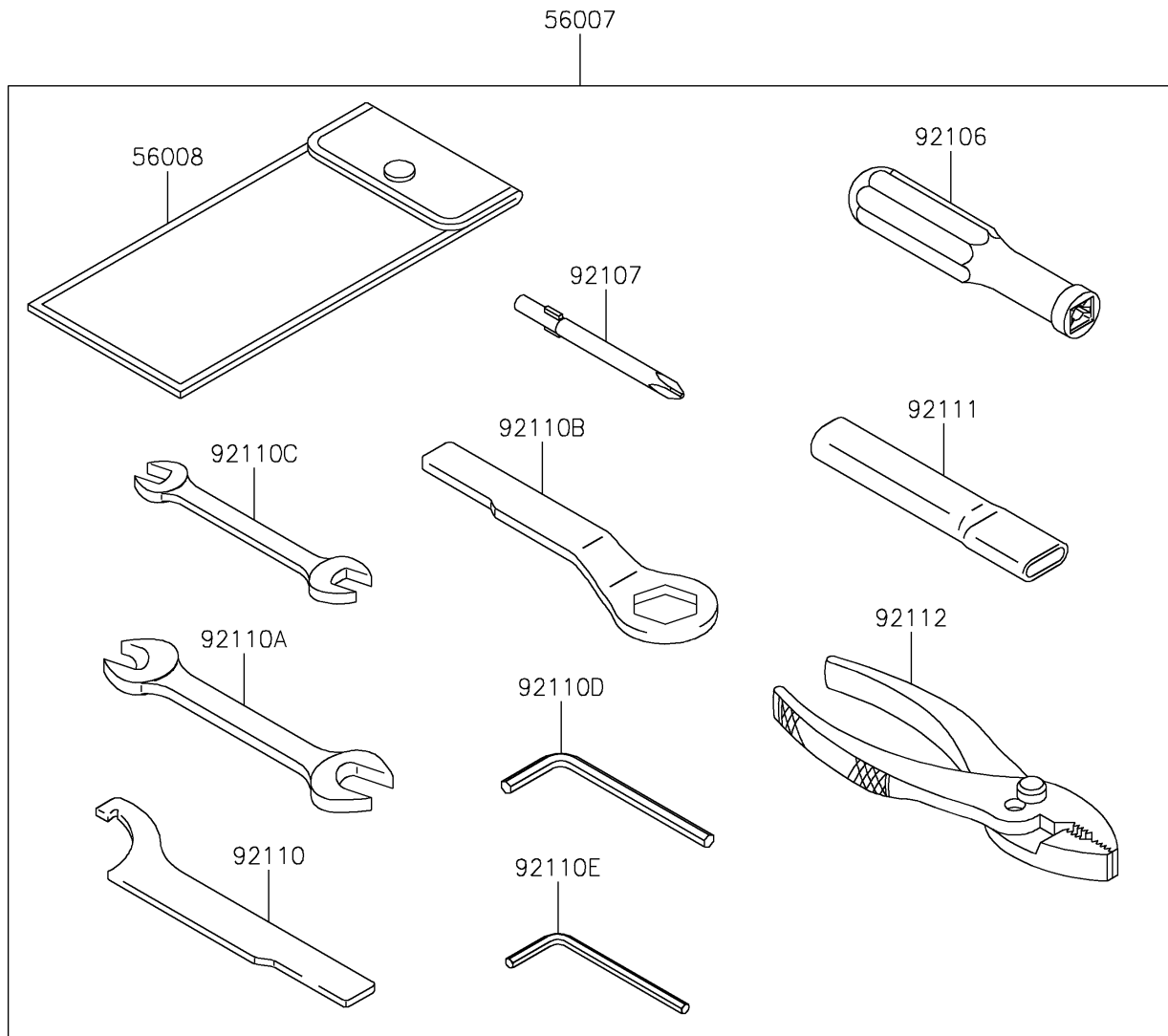


2022 NINJA® 400

PARTS DIAGRAM

Owner's Tools

F2810



2022 NINJA[®] 400

PARTS LIST

Owner's Tools

ITEM NAME

PART NUMBER

QUANTITY
