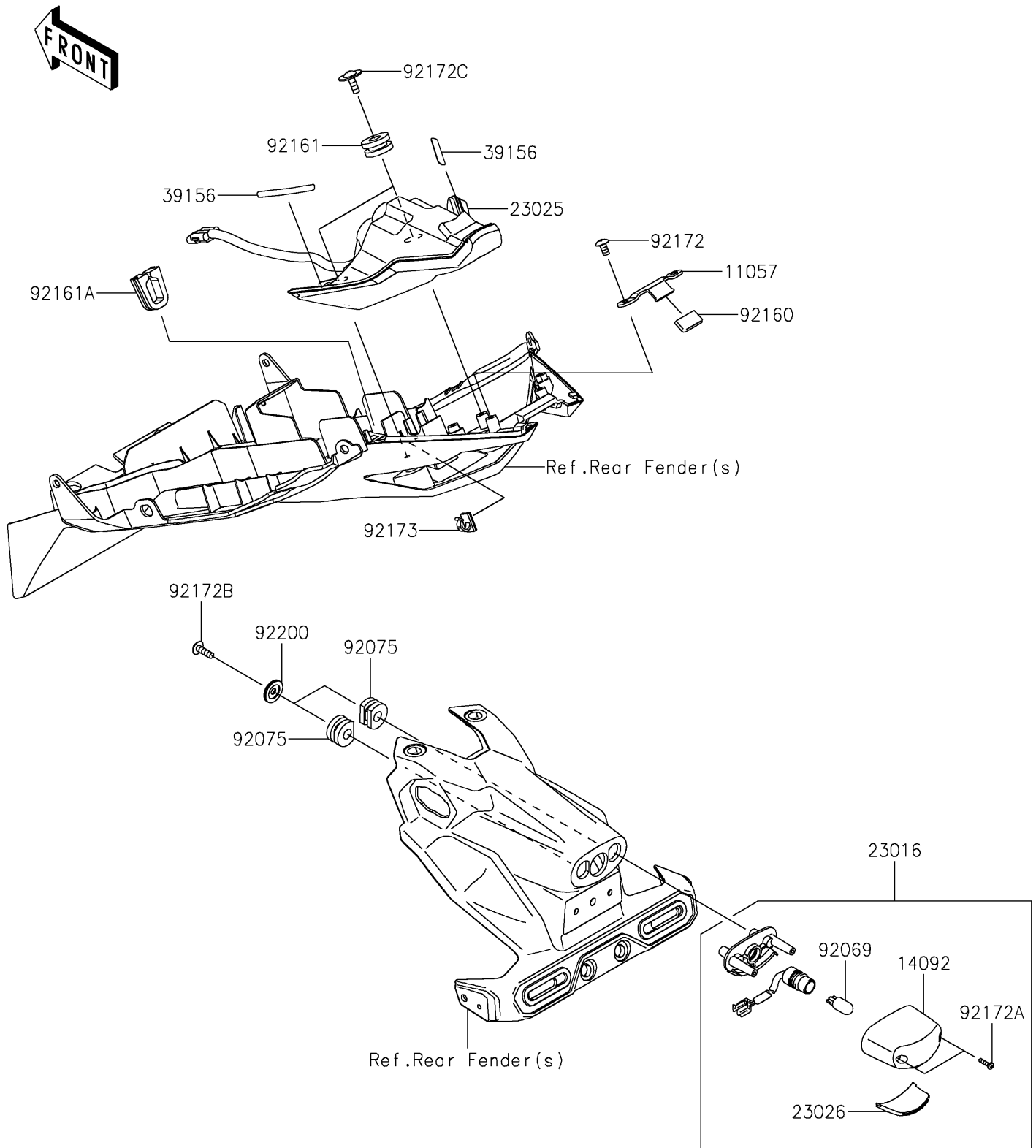


# 2022 NINJA® 400

## PARTS DIAGRAM

### Taillight(s)

F2720



# 2022 NINJA<sup>®</sup> 400

## PARTS LIST

Taillight(s)

**ITEM NAME**

**PART NUMBER**

**QUANTITY**

---