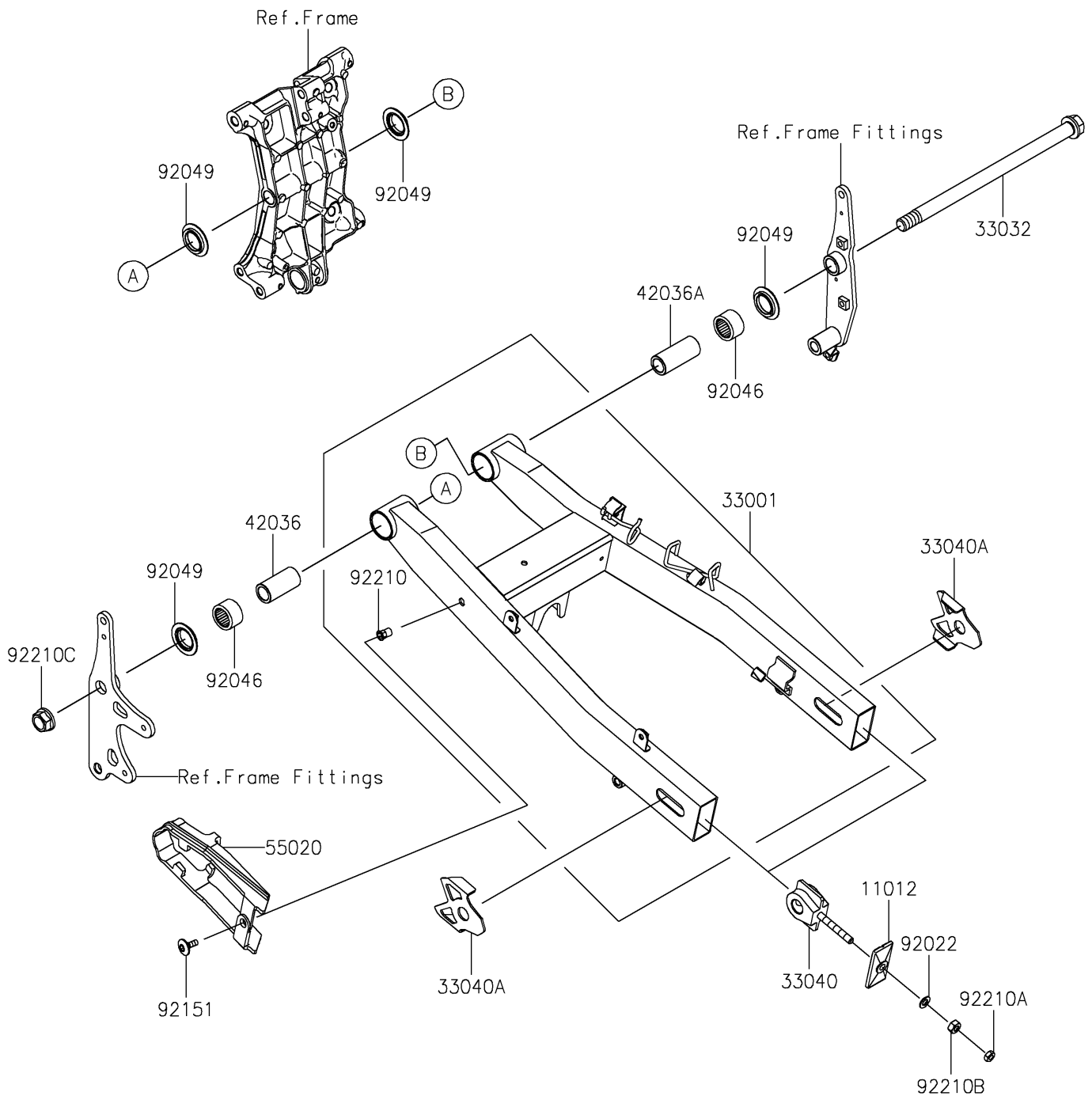


# 2022 NINJA® 400 ABS KRT EDITION

## PARTS DIAGRAM

### Swingarm

F2141



# 2022 NINJA® 400 ABS KRT EDITION

**Kawasaki**  
Let the Good Times Roll®

## PARTS LIST

### Swingarm

ITEM NAME	PART NUMBER	QUANTITY
-----------	-------------	----------

---