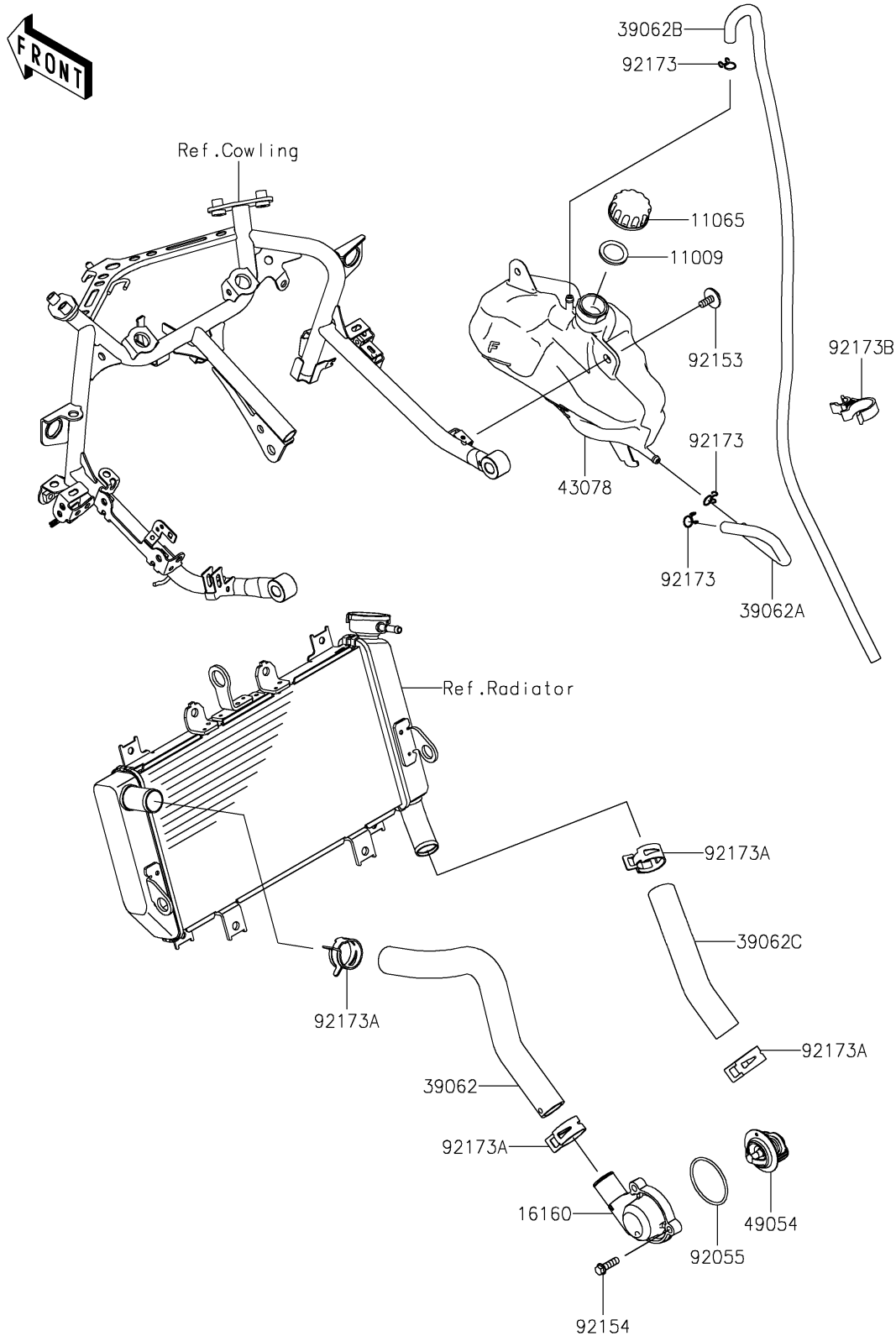


# 2022 NINJA® 400 ABS KRT EDITION

## PARTS DIAGRAM

### Water Pipe

E3037



# 2022 NINJA® 400 ABS KRT EDITION

**Kawasaki**  
Let the Good Times Roll®

## PARTS LIST

### Water Pipe

ITEM NAME	PART NUMBER	QUANTITY
-----------	-------------	----------

---