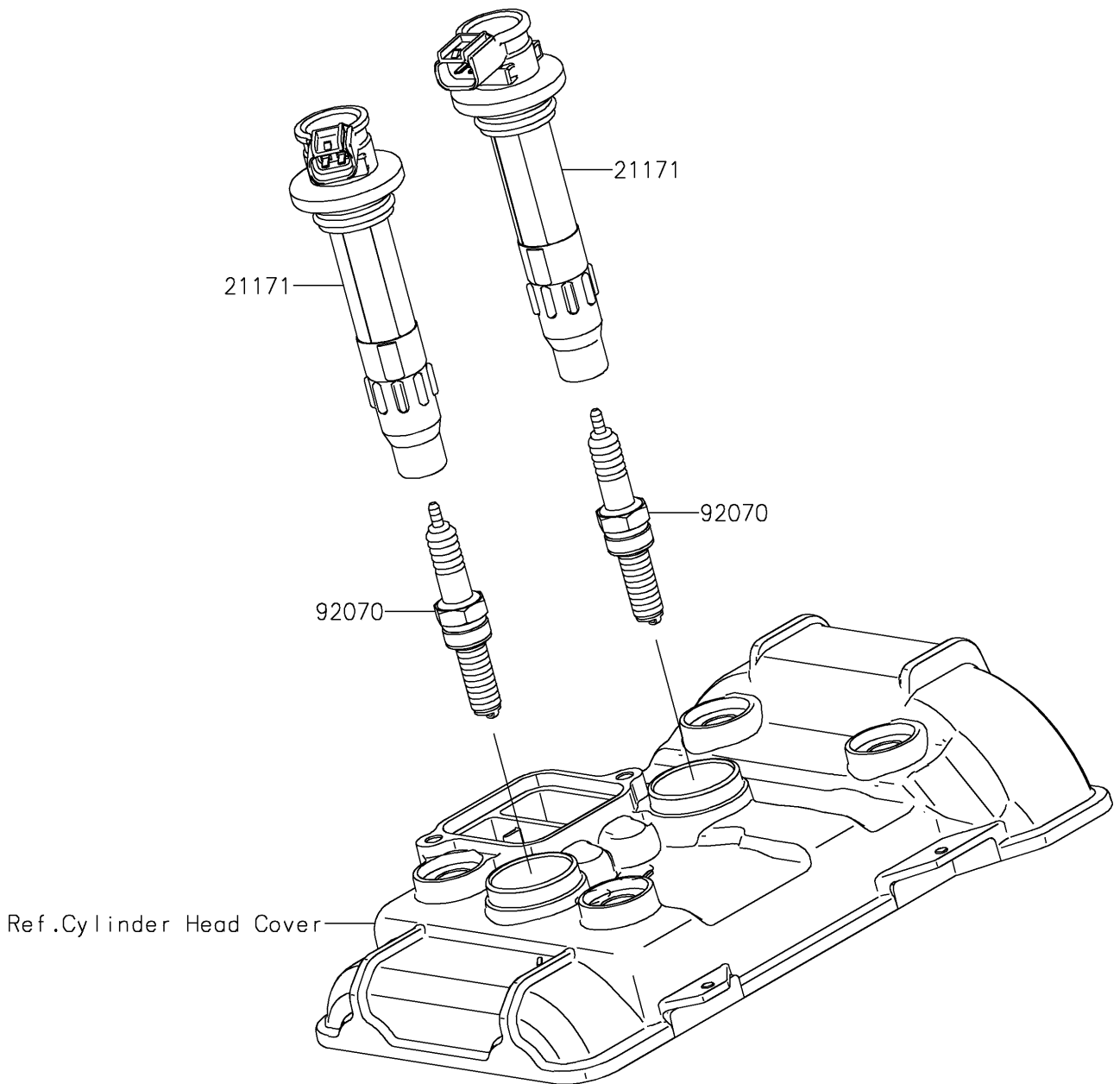


2022 NINJA[®] 400 ABS KRT EDITION

PARTS DIAGRAM

Ignition System

E1830



2022 NINJA[®] 400 ABS KRT EDITION



PARTS LIST

Ignition System

ITEM NAME	PART NUMBER	QUANTITY
-----------	-------------	----------
