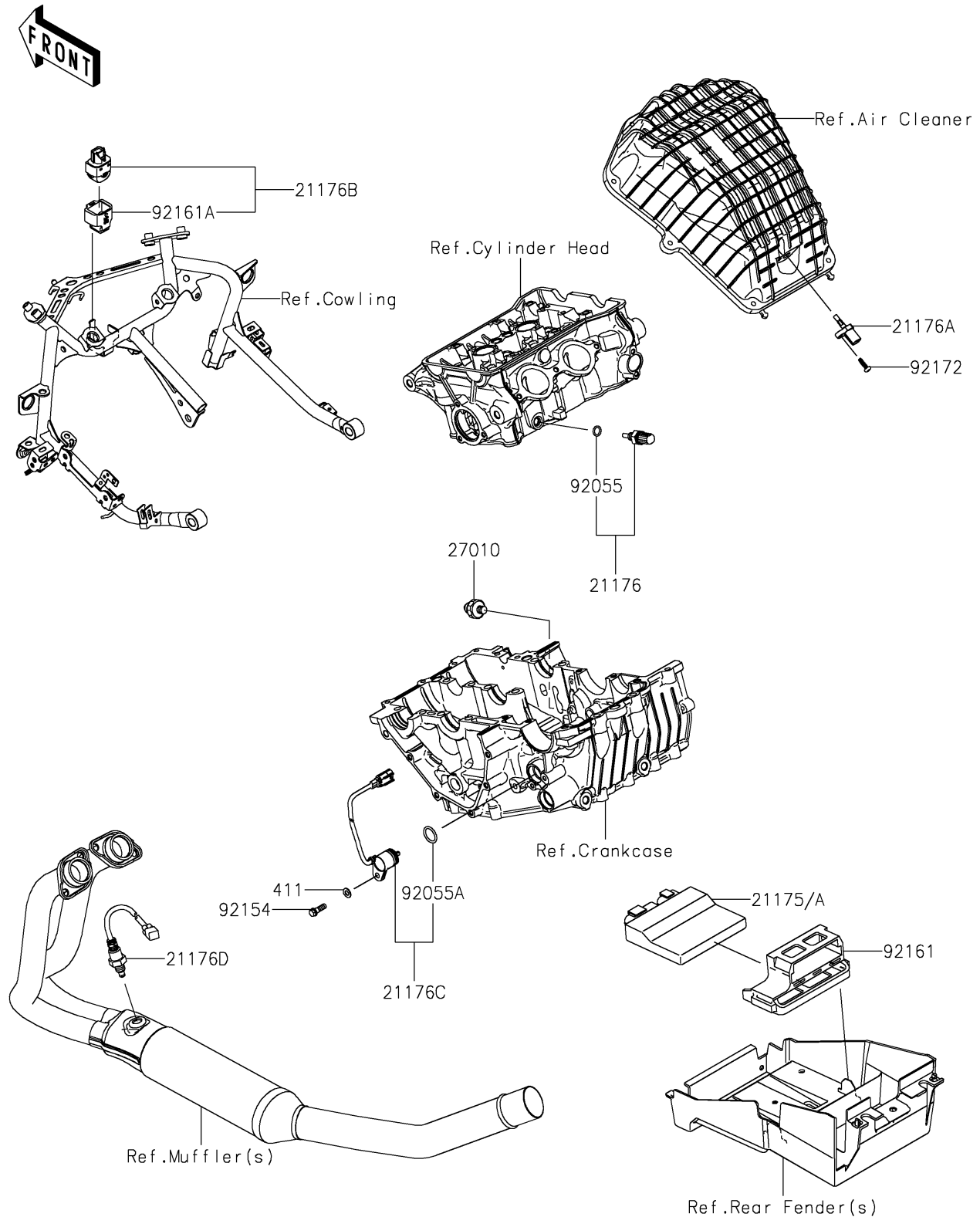


# 2022 NINJA® 400 ABS KRT EDITION

## PARTS DIAGRAM

### Fuel Injection

E1530



# 2022 NINJA® 400 ABS KRT EDITION



## PARTS LIST

### Fuel Injection

ITEM NAME	PART NUMBER	QUANTITY
-----------	-------------	----------

---