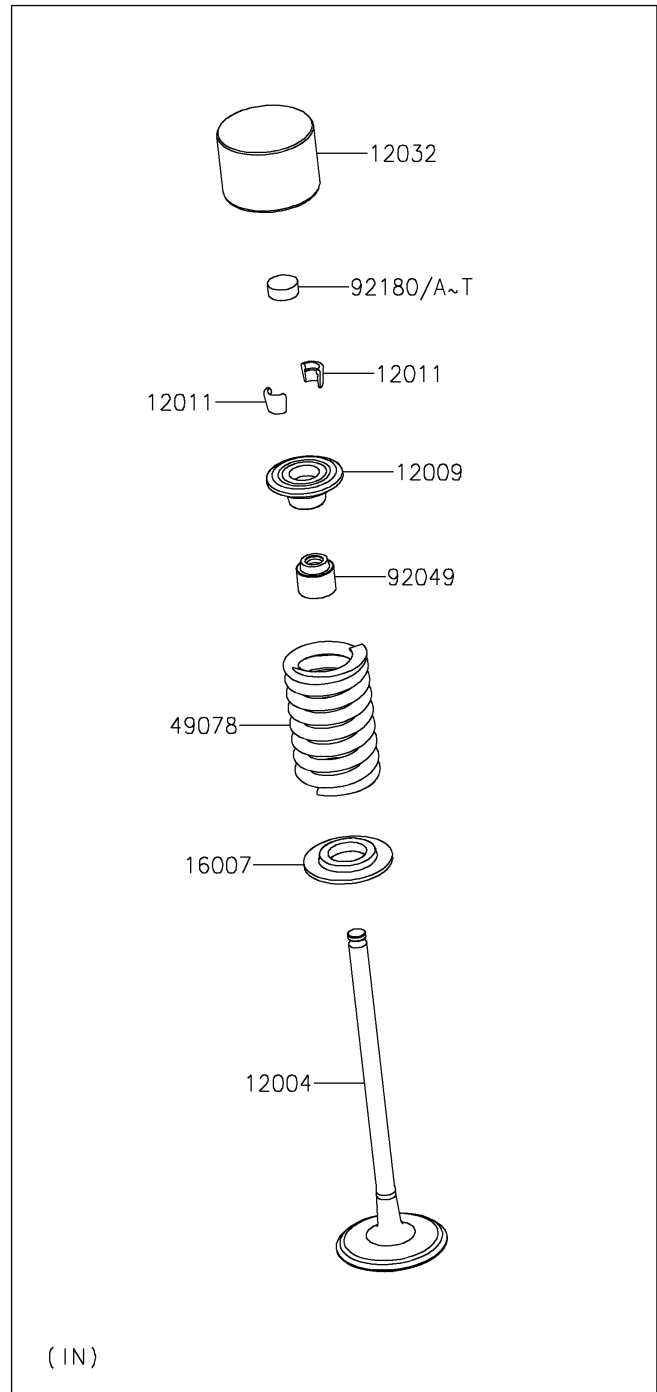
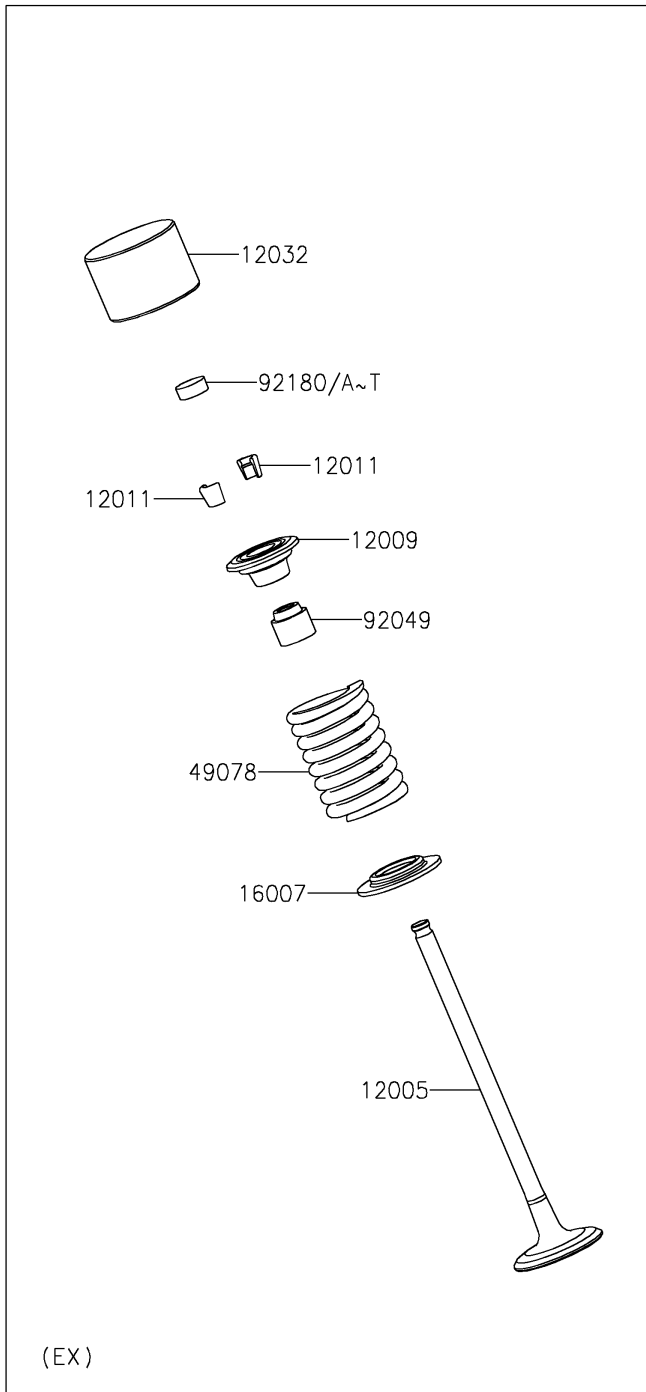


# 2022 NINJA® 400 ABS KRT EDITION

## PARTS DIAGRAM

### Valve(s)

E1210



# 2022 NINJA® 400 ABS KRT EDITION

**Kawasaki**  
Let the Good Times Roll®

## PARTS LIST

Valve(s)

**ITEM NAME**

**PART NUMBER**

**QUANTITY**

---