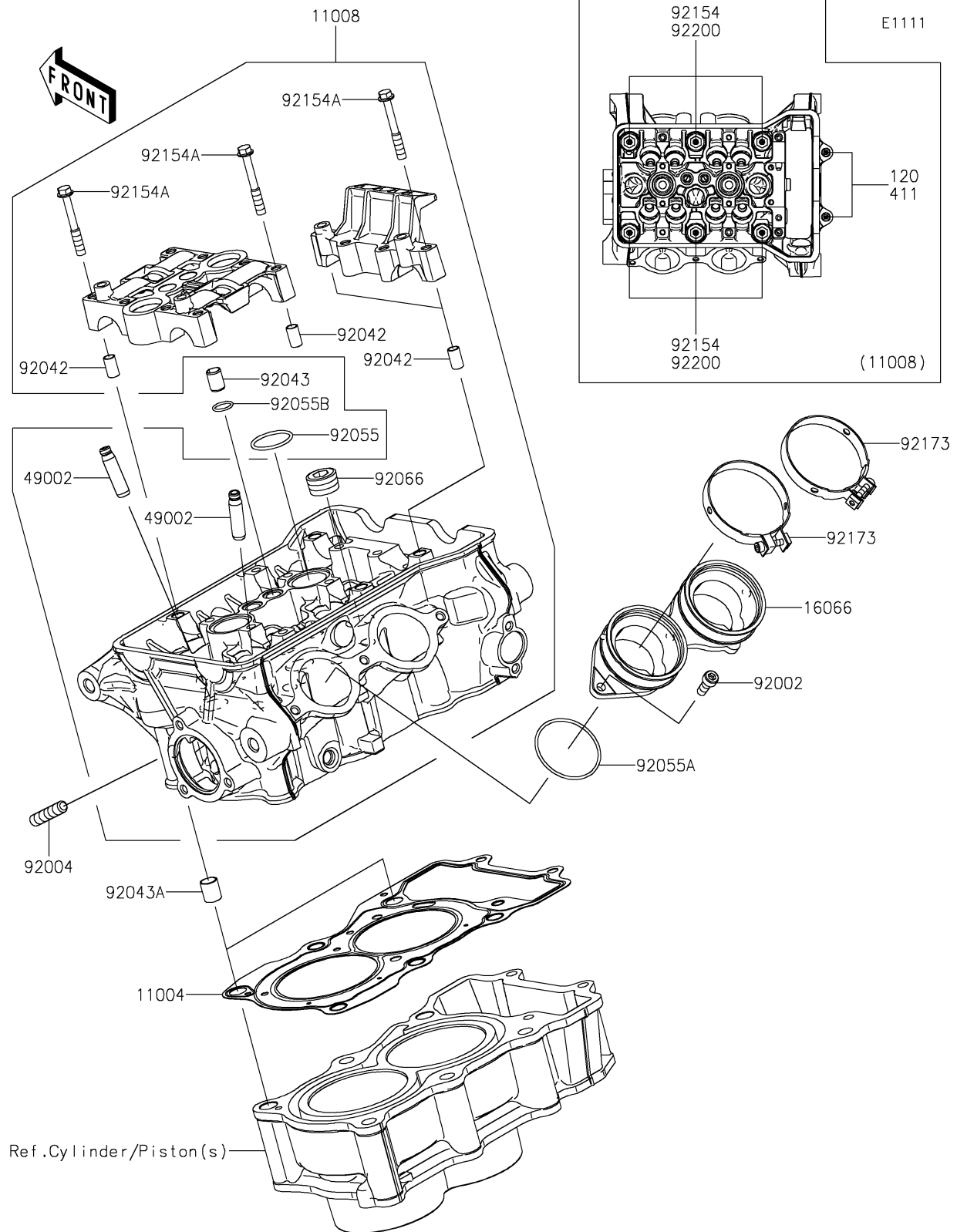


# 2022 NINJA® 400 ABS KRT EDITION

## PARTS DIAGRAM

### Cylinder Head



# 2022 NINJA® 400 ABS KRT EDITION



## PARTS LIST

### Cylinder Head

ITEM NAME	PART NUMBER	QUANTITY
-----------	-------------	----------

---