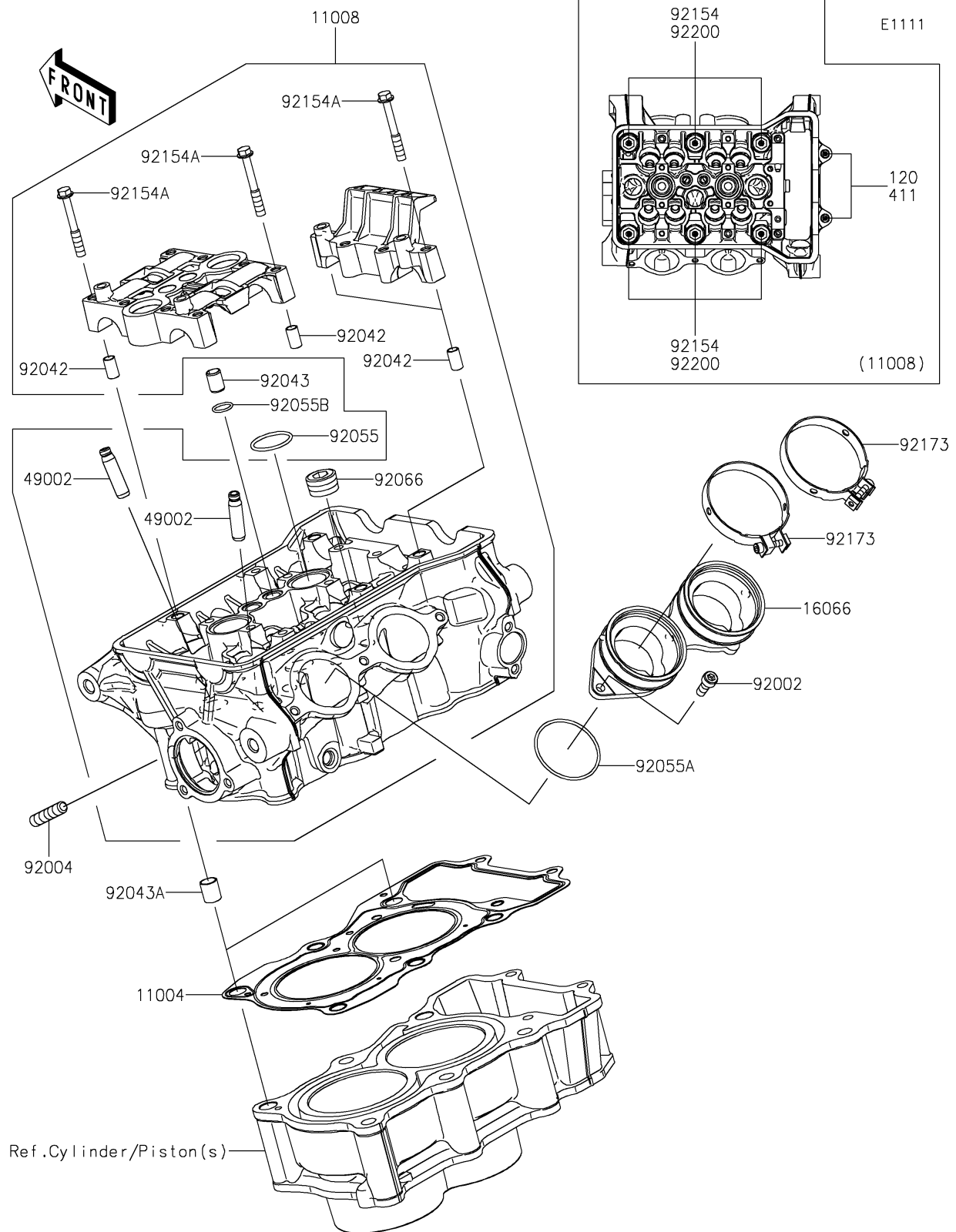


# 2022 Ninja® 400 ABS

## PARTS DIAGRAM

### Cylinder Head



# 2022 Ninja® 400 ABS

## PARTS LIST

### Cylinder Head

**ITEM NAME**

**PART NUMBER**

**QUANTITY**

---