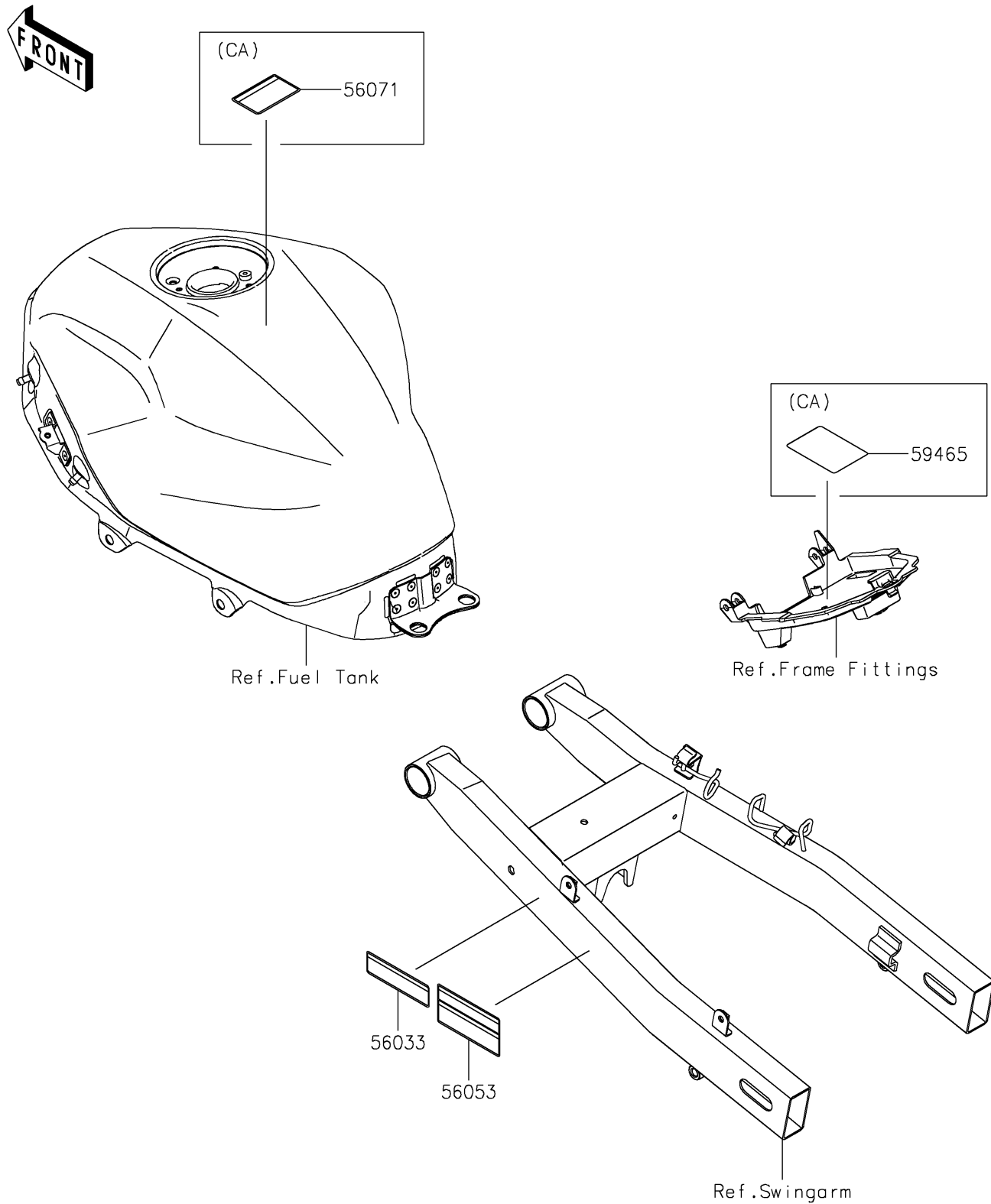


# 2023 Ninja<sup>®</sup> 400

## PARTS DIAGRAM

### Labels

F2860



# 2023 Ninja<sup>®</sup> 400

## PARTS LIST

### Labels

**ITEM NAME**

**PART NUMBER**

**QUANTITY**

---