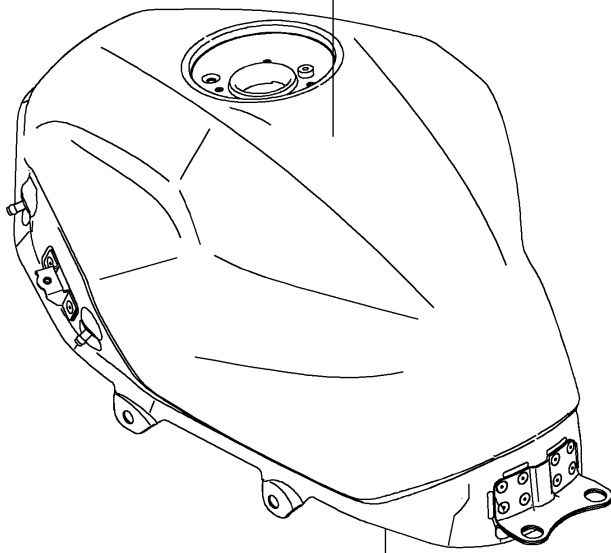
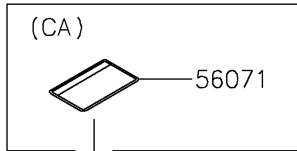


# 2022 NINJA® 400

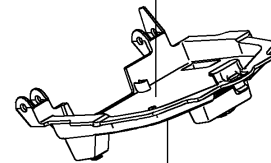
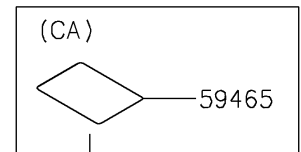
## PARTS DIAGRAM

### Labels

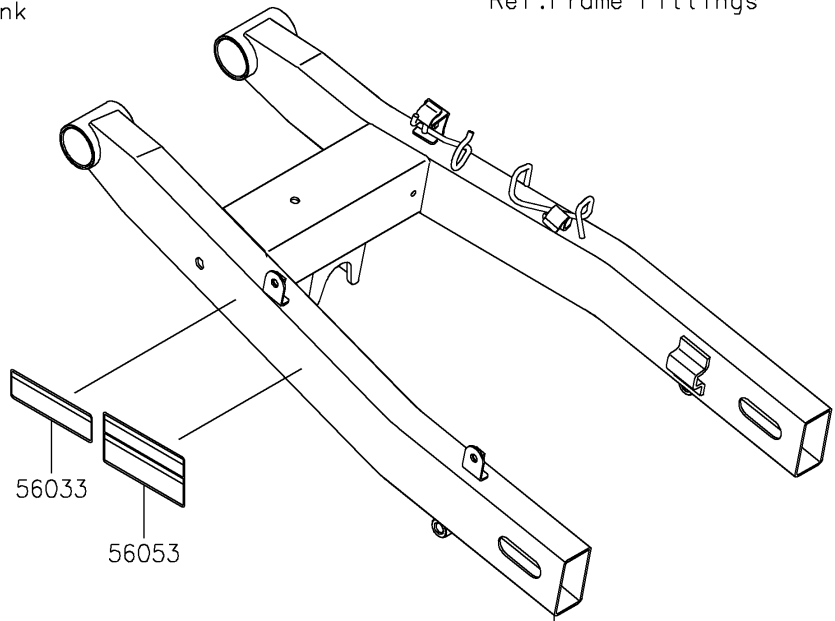
F2860



Ref. Fuel Tank



Ref. Frame Fittings



Ref. Swingarm

56033

56053

# 2022 NINJA<sup>®</sup> 400

## PARTS LIST

### Labels

**ITEM NAME**

**PART NUMBER**

**QUANTITY**

---