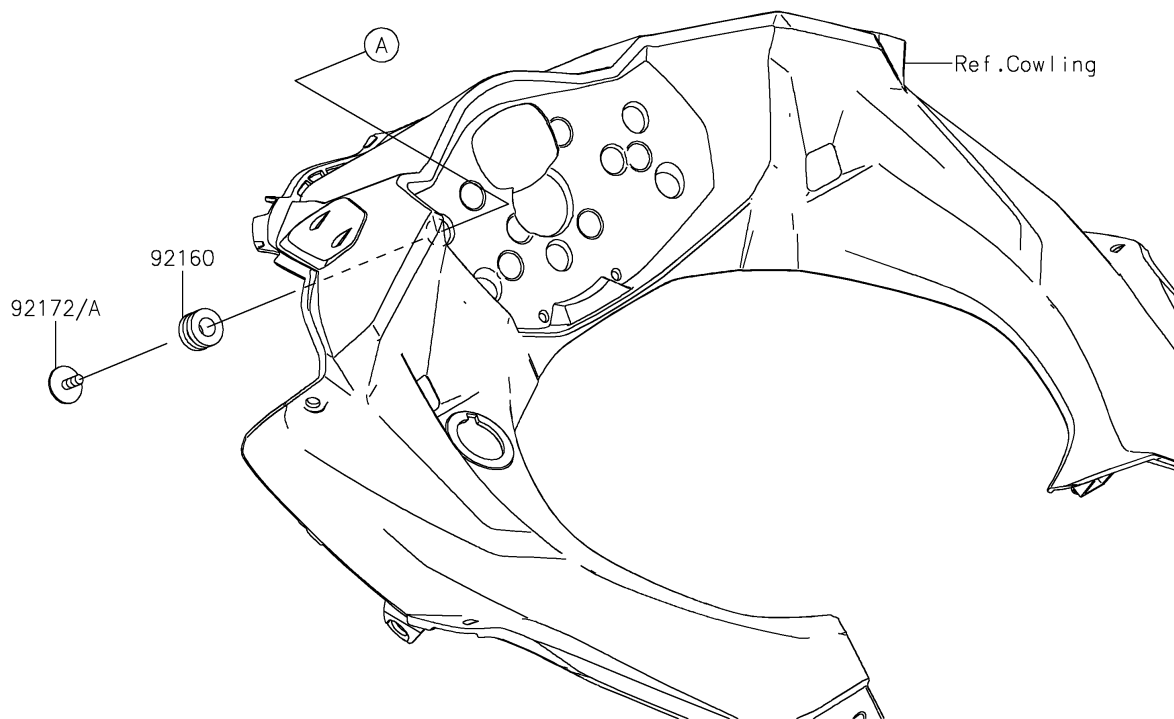
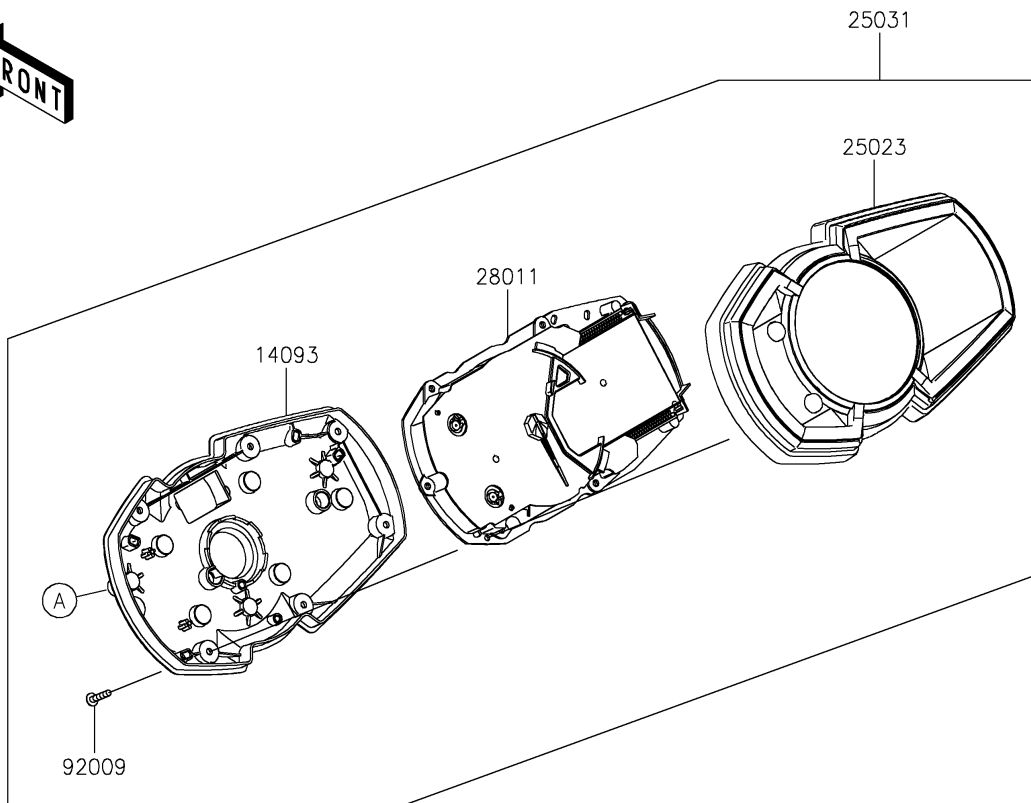


2023 Ninja® 400

PARTS DIAGRAM

Meter(s)

F2530



2023 Ninja[®] 400

PARTS LIST

Meter(s)

ITEM NAME

PART NUMBER

QUANTITY
