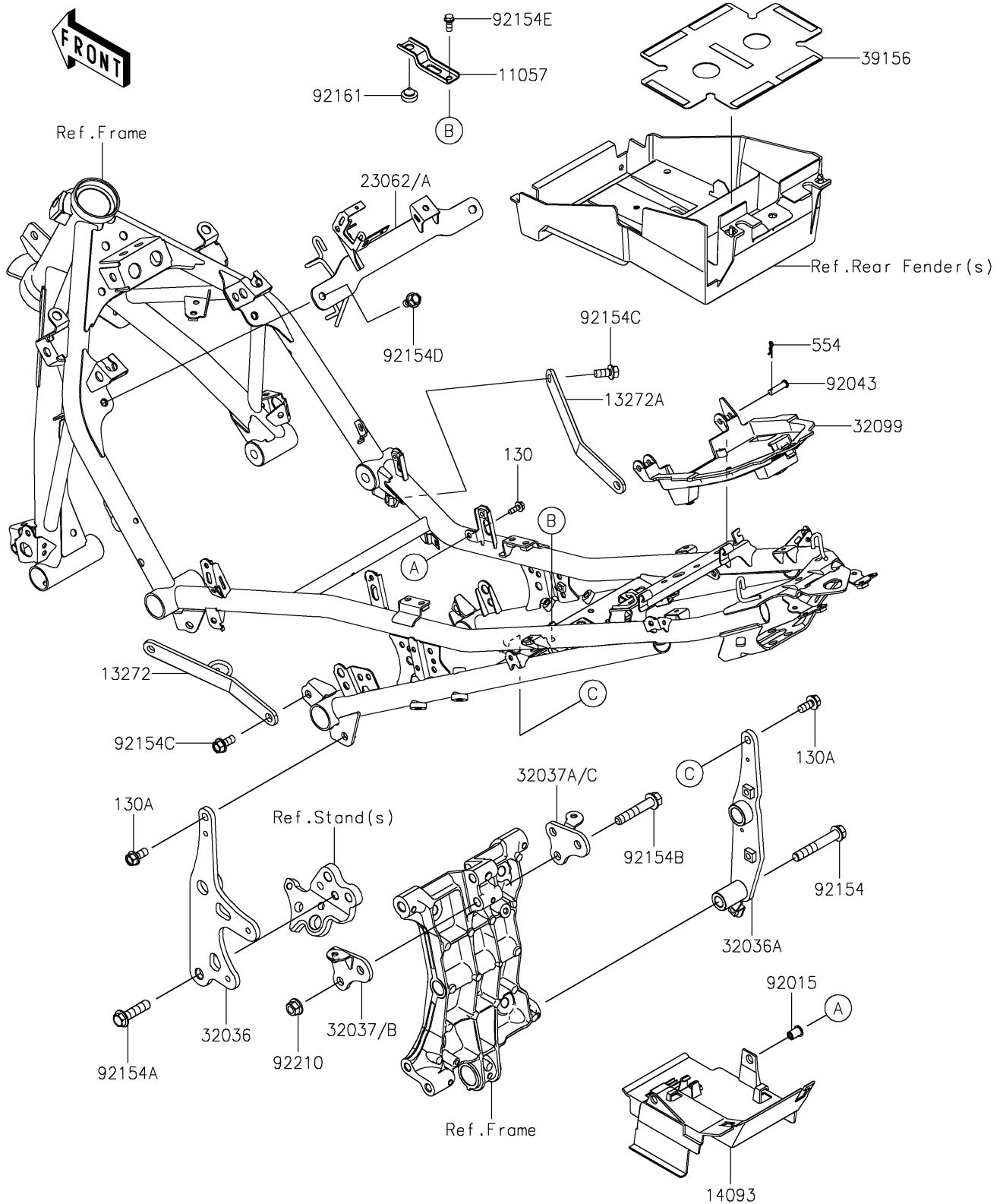


# 2023 Ninja<sup>®</sup> 400

## PARTS DIAGRAM

### Frame Fittings

F2131



# 2023 Ninja<sup>®</sup> 400

## PARTS LIST Frame Fittings

**ITEM NAME**

**PART NUMBER**

**QUANTITY**

---