

# 2023 Ninja 400

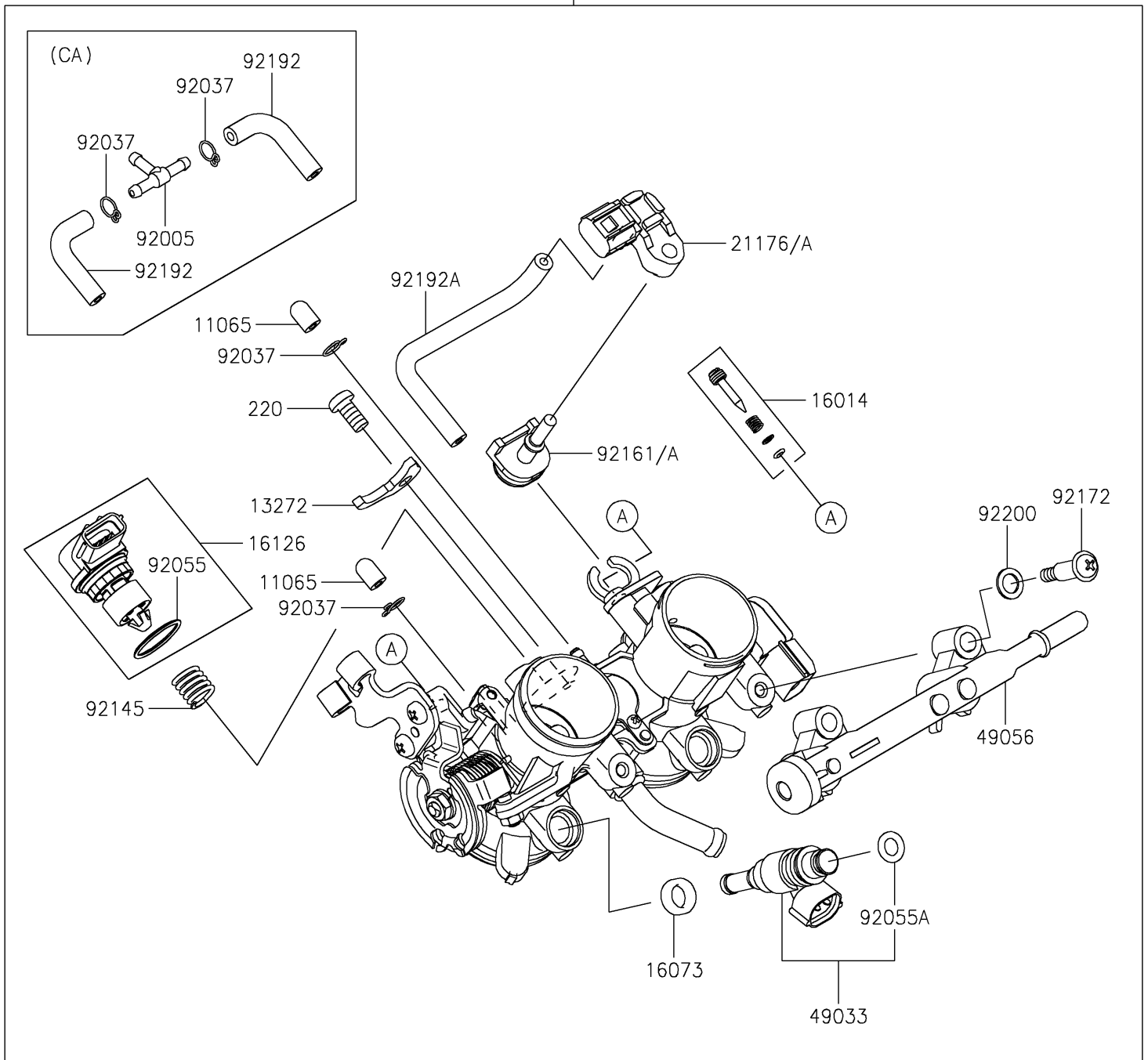
## PARTS DIAGRAM

### Throttle

E1510



16163/A~C



# 2023 Ninja 400

## PARTS LIST

### Throttle

**ITEM NAME**

**PART NUMBER**

**QUANTITY**

---