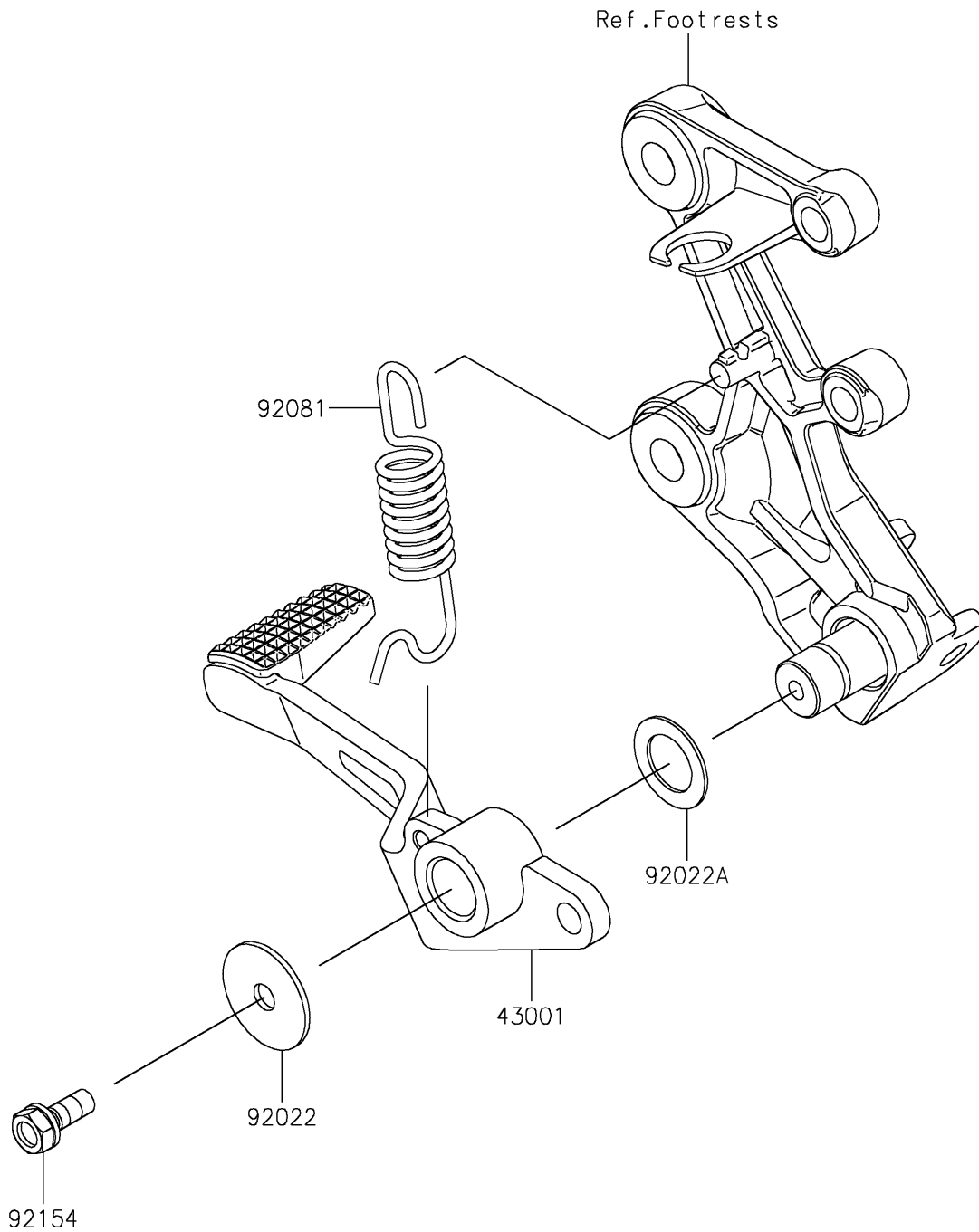


# 2021 NINJA® 400 ABS

## PARTS DIAGRAM

### Brake Pedal/Torque Link

F2260



# 2021 NINJA<sup>®</sup> 400 ABS

## PARTS LIST

### Brake Pedal/Torque Link

ITEM NAME	PART NUMBER	QUANTITY
-----------	-------------	----------

---