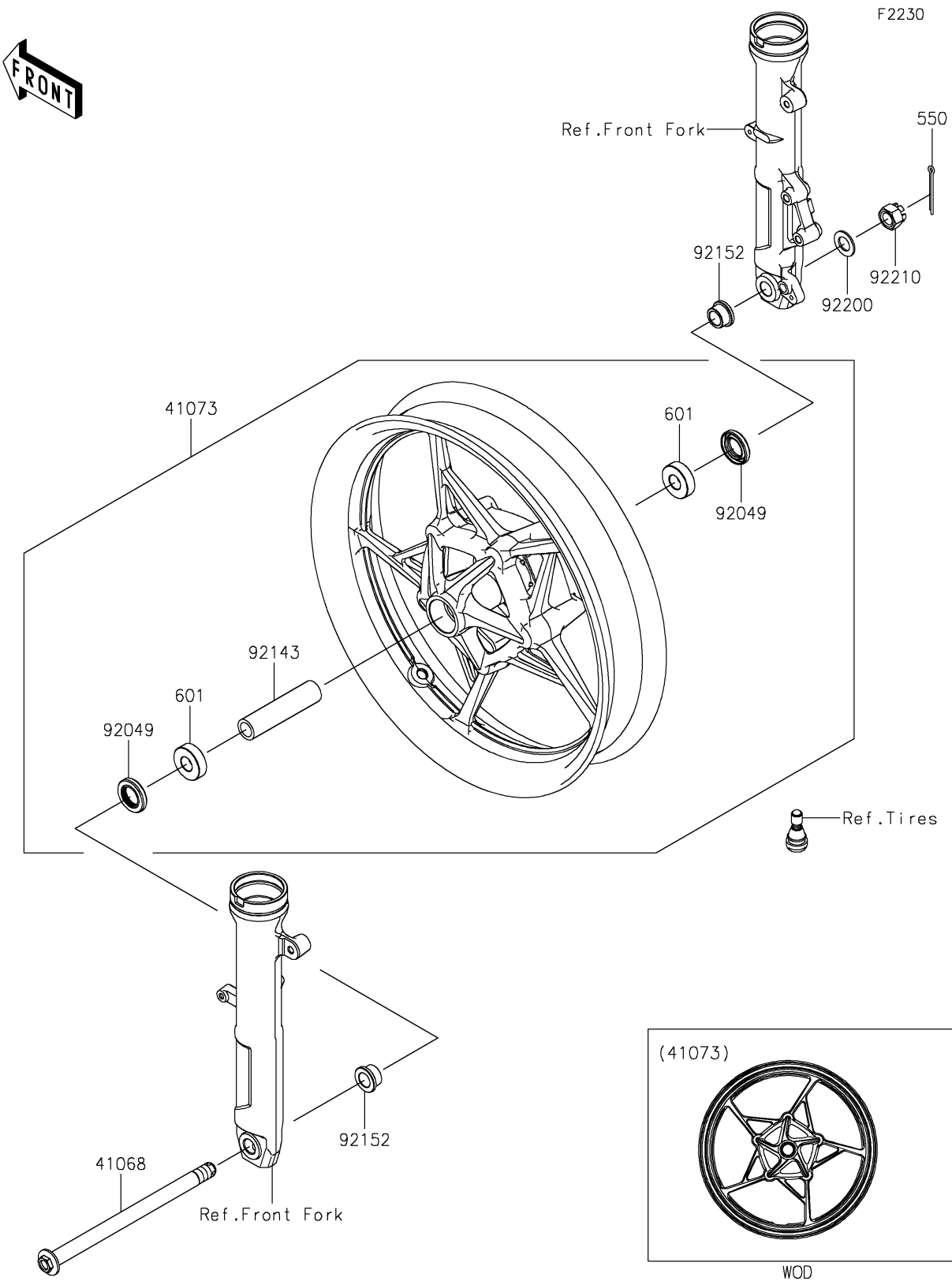


# 2021 NINJA<sup>®</sup> 400 ABS

## PARTS DIAGRAM

### Front Wheel



# 2021 NINJA<sup>®</sup> 400 ABS

## PARTS LIST

### Front Wheel

**ITEM NAME**

**PART NUMBER**

**QUANTITY**

---