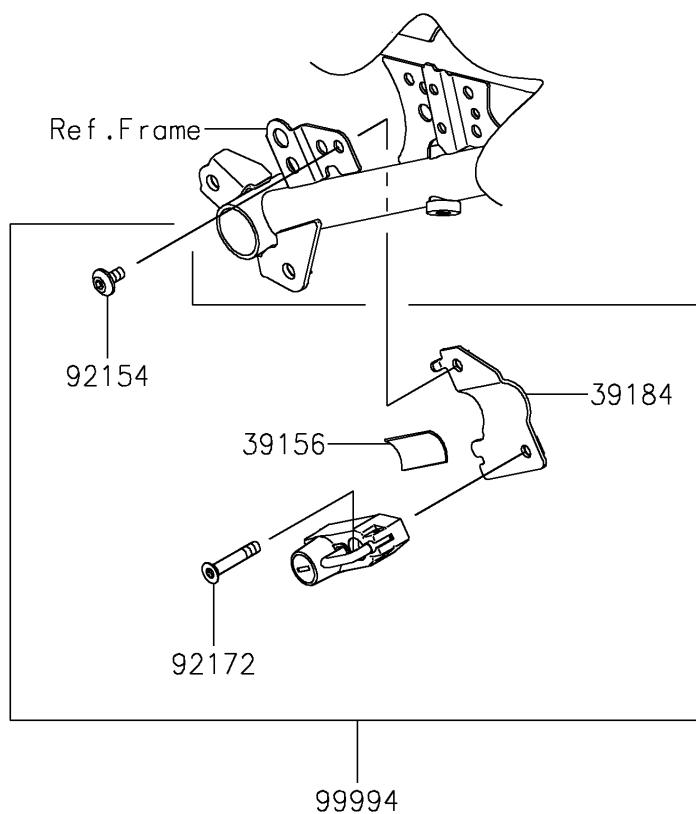


# 2018 NINJA® 400 ABS

## PARTS DIAGRAM

### Accessory(Helmet Lock)

F2910F



# 2018 NINJA<sup>®</sup> 400 ABS

## PARTS LIST

### Accessory(Helmet Lock)

ITEM NAME	PART NUMBER	QUANTITY
PAD,25X33X1 (Ref # 39156)	39156-2158	0
BRACKET-ASSY (Ref # 39184)	39184-0725	0
BOLT,SOCKET,6X12 (Ref # 92154)	92154-2355	0
SCREW,HEXLOBE,6X35 (Ref # 92172)	92172-0835	0
KIT-ACCESSORY,HELMET LOCK (Ref # 99994)	99994-1037	0