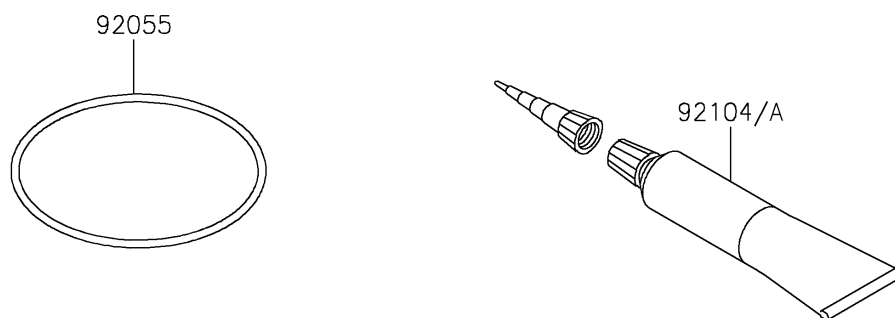
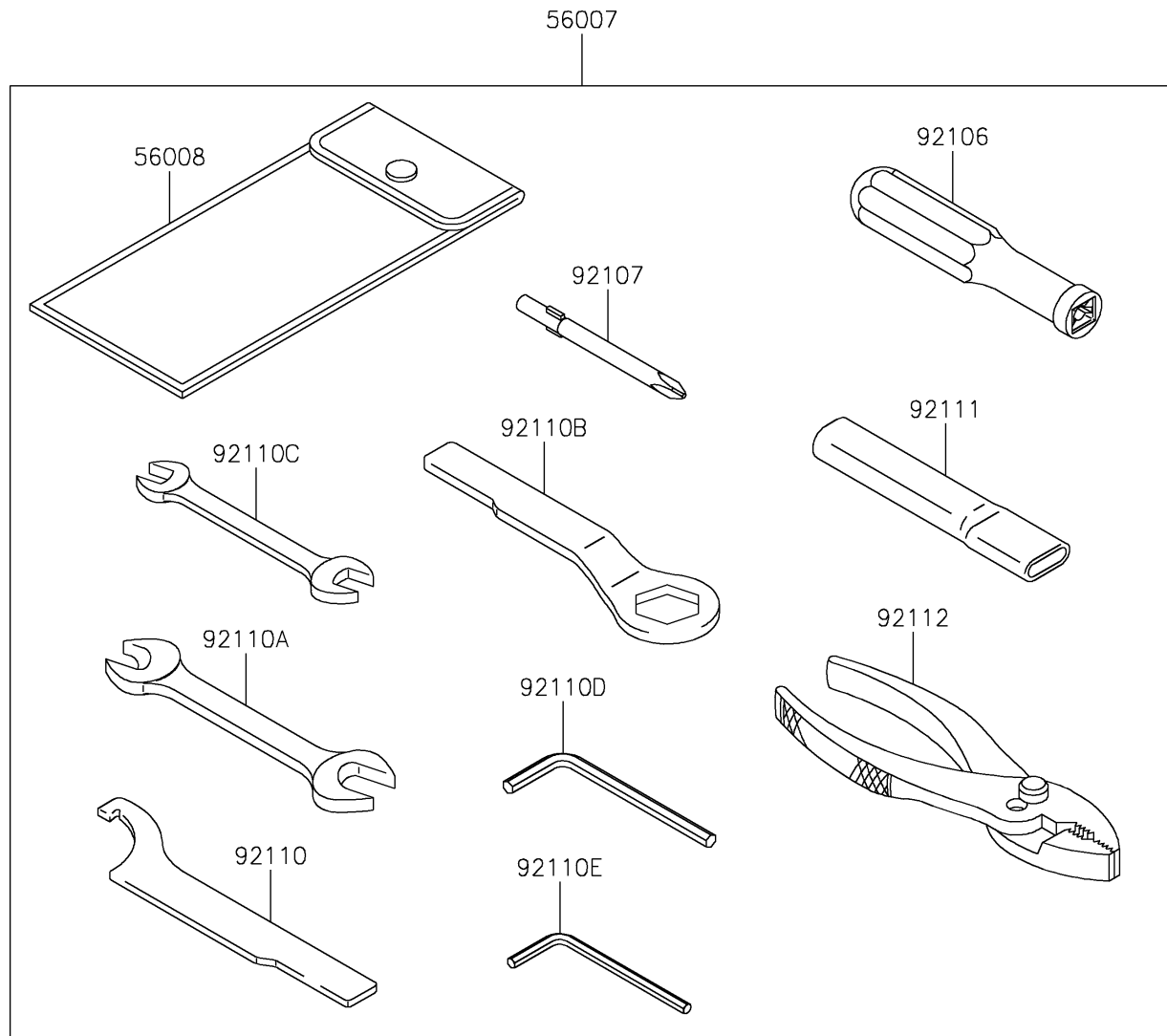


2018 NINJA[®] 400 ABS

PARTS DIAGRAM

Owner's Tools

F2810



2018 NINJA® 400 ABS

PARTS LIST

Owner's Tools

ITEM NAME

PART NUMBER

QUANTITY
