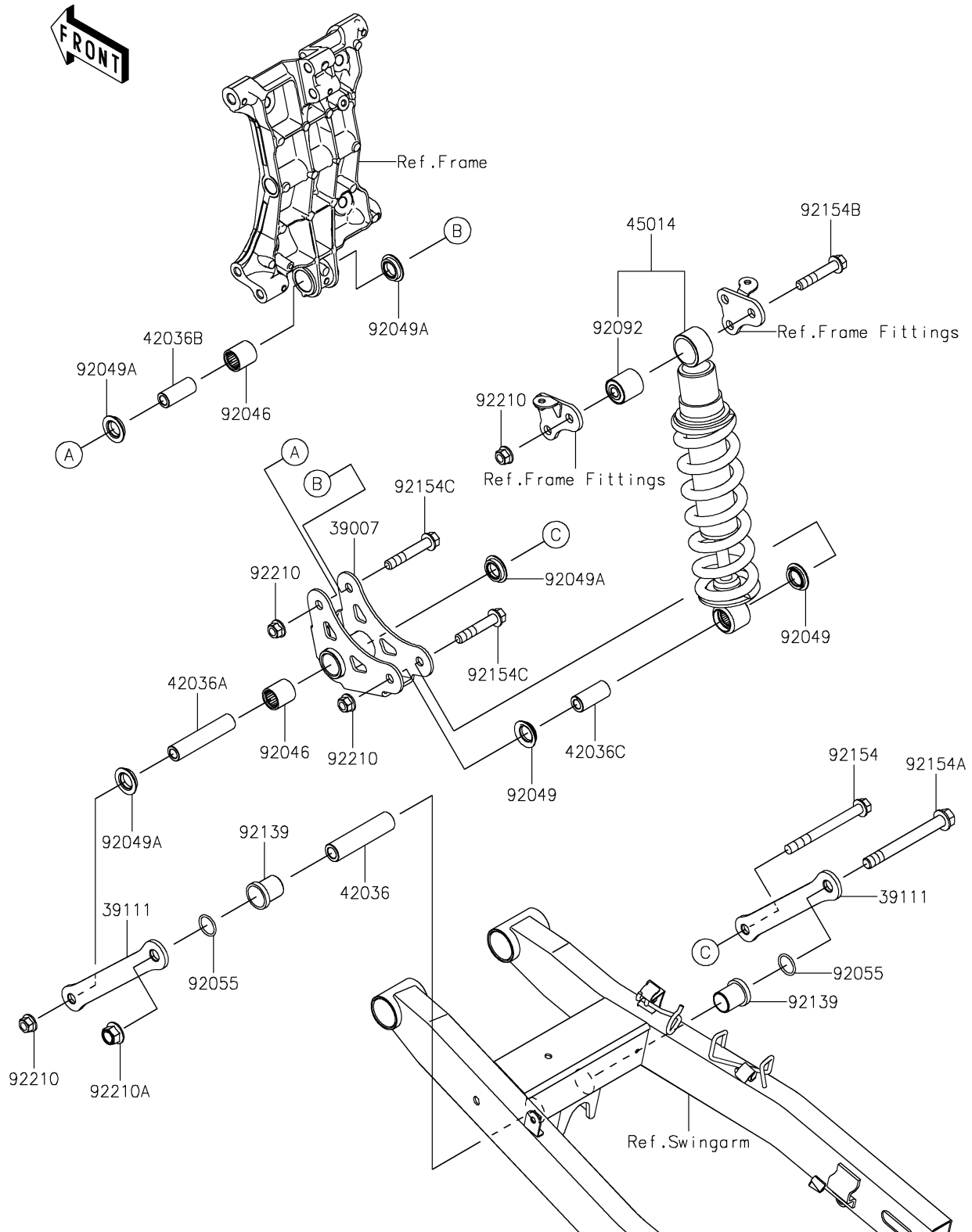


# 2018 NINJA® 400 ABS

## PARTS DIAGRAM

### Suspension/Shock Absorber

F2151



# 2018 NINJA® 400 ABS

## PARTS LIST

### Suspension/Shock Absorber

**ITEM NAME**

**PART NUMBER**

**QUANTITY**

---