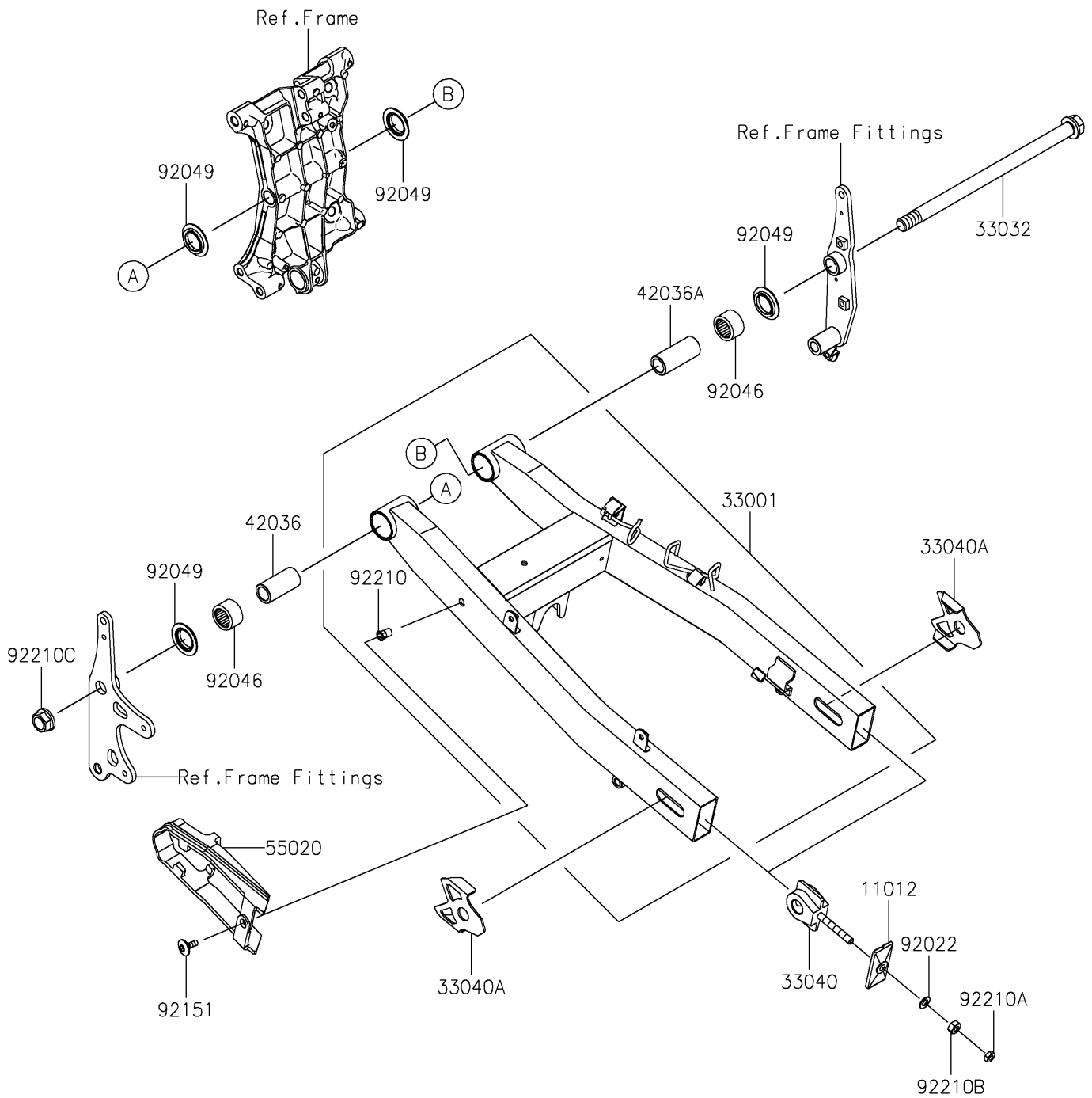


2018 NINJA® 400 ABS

PARTS DIAGRAM

Swingarm

F2141



2018 NINJA® 400 ABS

PARTS LIST

Swingarm

ITEM NAME	PART NUMBER	QUANTITY
CAP,CHAIN ADJUSTER,F.S.BLACK (Ref # 11012)	11012-1871-18R	0
ARM-COMP-SWING,F.S.BLACK (Ref # 33001)	33001-0681-18R	0
SHAFT-SWING ARM,17X285 (Ref # 33032)	33032-0056	0
ADJUSTER-CHAIN (Ref # 33040)	33040-0089	0
ADJUSTER-CHAIN,F.S.BLACK (Ref # 33040A)	33040-0090-18R	0
SLEEVE (Ref # 42036)	42036-0805	0
SLEEVE (Ref # 42036A)	42036-0806	0
GUARD,CHAIN (Ref # 55020)	55020-2199	0
WASHER,8.5X16X1.2 (Ref # 92022)	92022-1582	0
BEARING-NEEDLE,BM2520 (Ref # 92046)	92046-1228	0
SEAL-OIL,MF025N1 (Ref # 92049)	92049-1426	0
BOLT,SOCKET,6X18 (Ref # 92151)	92151-1149	0
NUT,POP,6MM,L=15 (Ref # 92210)	92210-1397	0
NUT,8MM,5X12 (Ref # 92210A)	92210-1588	0
NUT,8MM,6.5X14 (Ref # 92210B)	92210-1589	0
NUT,16MM (Ref # 92210C)	92210-1590	0