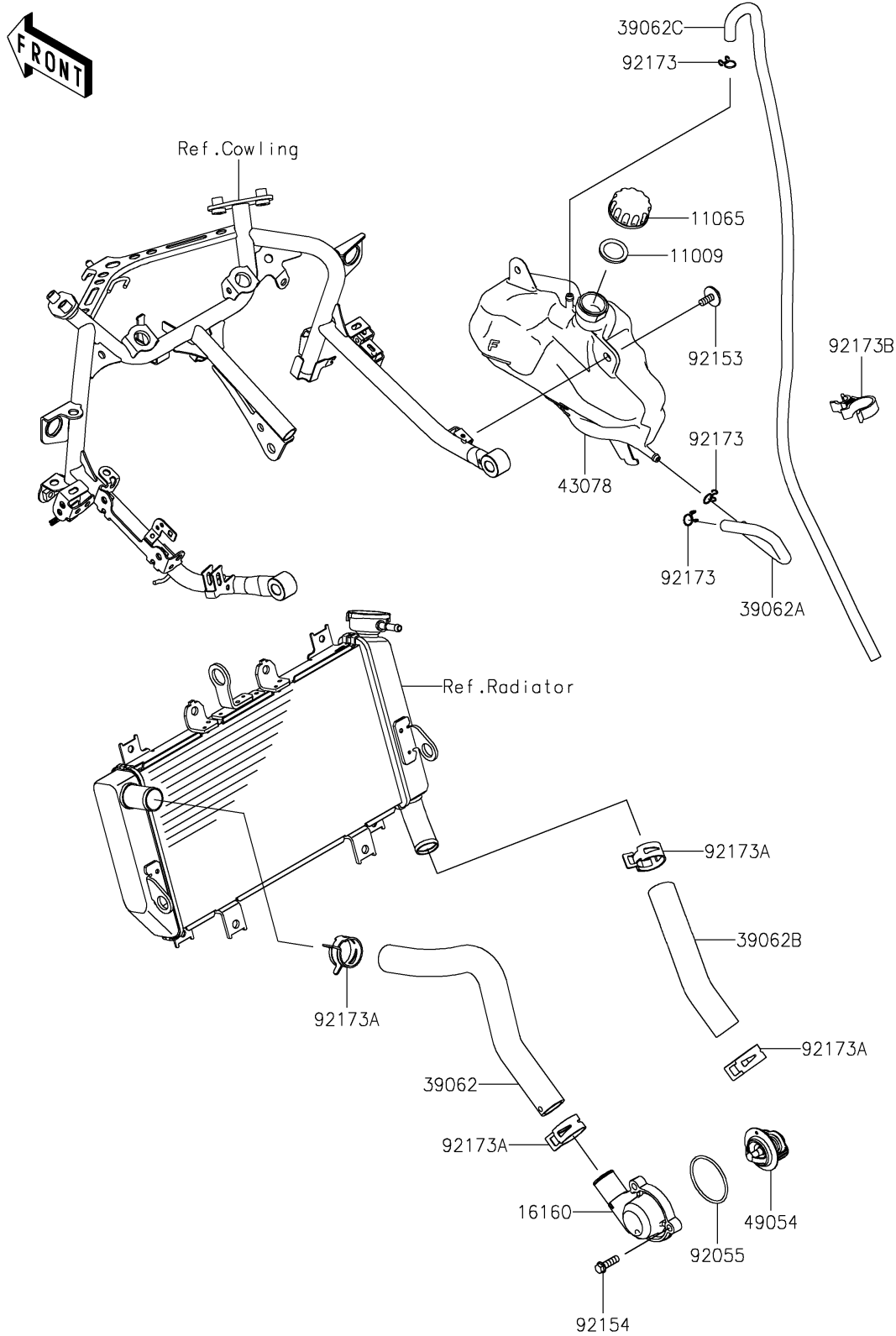


2018 NINJA® 400 ABS

PARTS DIAGRAM

Water Pipe

E3037



2018 NINJA[®] 400 ABS

PARTS LIST

Water Pipe

ITEM NAME

PART NUMBER

QUANTITY
