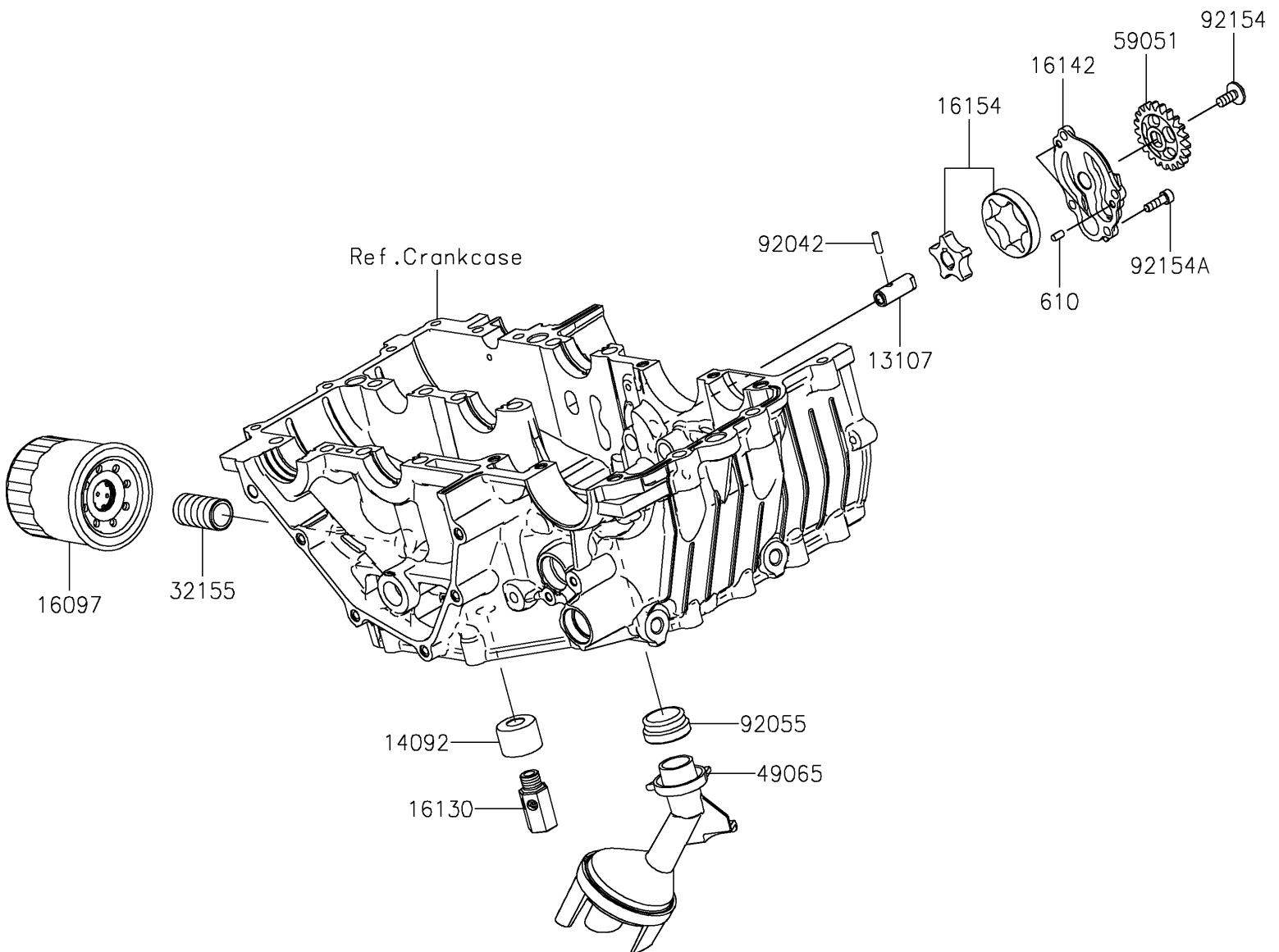


2018 NINJA® 400 ABS

PARTS DIAGRAM

Oil Pump/Oil Filter

E1710



2018 NINJA® 400 ABS

PARTS LIST

Oil Pump/Oil Filter

ITEM NAME	PART NUMBER	QUANTITY
SHAFT (Ref # 13107)	13107-0859	0
COVER,RELIEF VALVE (Ref # 14092)	14092-1002	0
FILTER-ASSY-OIL (Ref # 16097)	16097-0552	0
VALVE-ASSY-RELIEF (Ref # 16130)	16130-0006	0
COVER-PUMP (Ref # 16142)	16142-0748	0
ROTOR-PUMP (Ref # 16154)	16154-0738	0
PIPE,OIL FILTER (Ref # 32155)	32155-0029	0
FILTER-OIL (Ref # 49065)	49065-0048	0
GEAR-SPUR,OIL PUMP,21T (Ref # 59051)	59051-0797	0
PIN,DOWEL,4X13.8 (Ref # 92042)	92042-030	0
RING-O,OIL FILTER (Ref # 92055)	92055-1354	0
BOLT,SOCKET,6X14 (Ref # 92154)	92154-2731	0
BOLT,SOCKET,5X16 (Ref # 92154A)	92154-2792	0
ROLLER,4X8 (Ref # 610)	610A0408	0