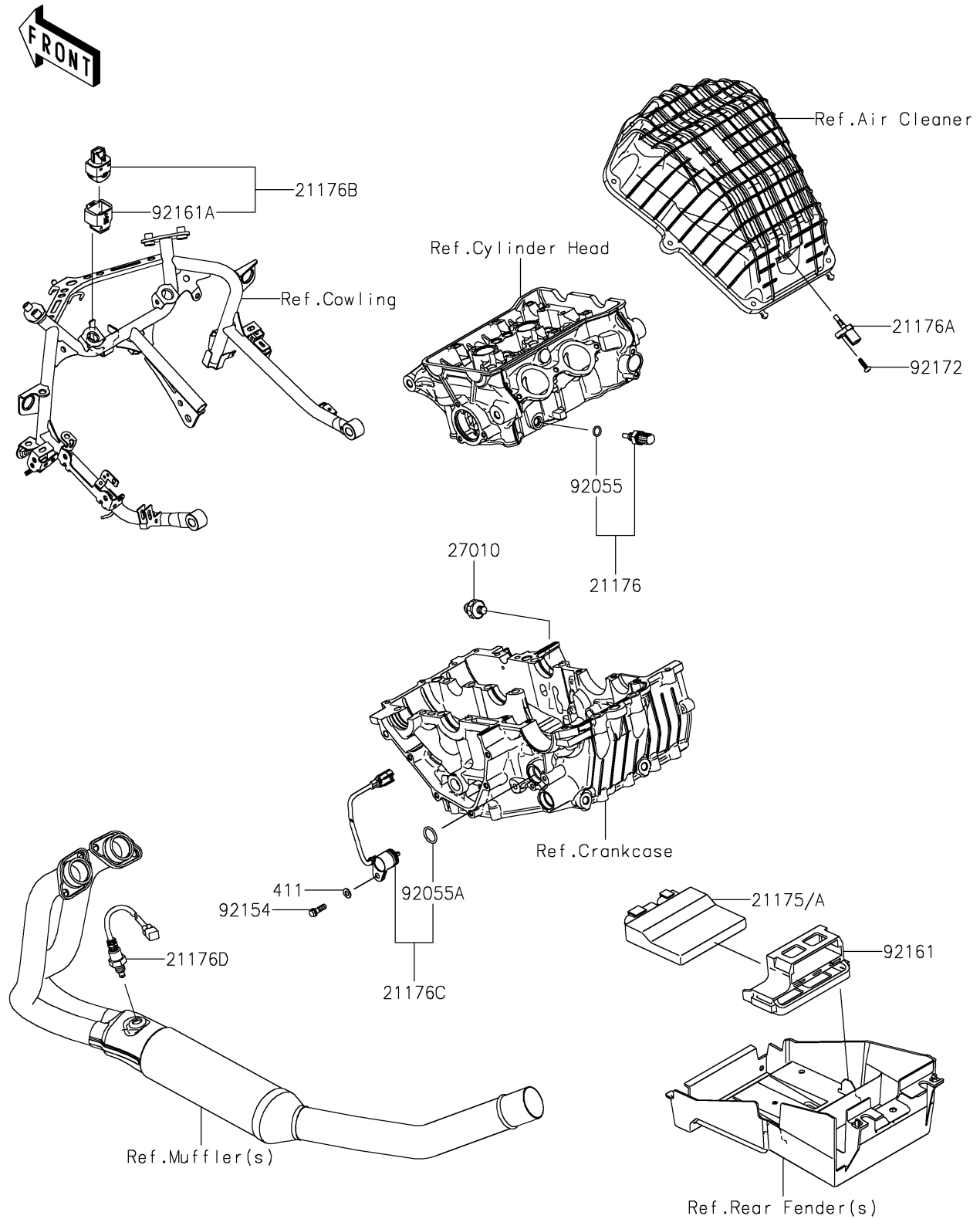


# 2018 NINJA® 400 ABS

## PARTS DIAGRAM

### Fuel Injection

E1530



# 2018 NINJA® 400 ABS

## PARTS LIST

### Fuel Injection

ITEM NAME	PART NUMBER	QUANTITY
CONTROL UNIT-ELECTRONIC (Ref # 21175A)	21175-1371	0
SENSOR,WATER TEMP (Ref # 21176)	21176-0009	0
SENSOR,AIR TEMPERATURE (Ref # 21176A)	21176-0048	0
SENSOR,VEHICLE-DOWN (Ref # 21176B)	21176-0704	0
SENSOR,GEAR POSITION (Ref # 21176C)	21176-0852	0
SENSOR,OXYGEN (Ref # 21176D)	21176-0853	0
SWITCH,OIL PRESSURE (Ref # 27010)	27010-1313	0
RING-O,9.5X1.9 (Ref # 92055)	92055-0016	0
RING-O (Ref # 92055A)	92055-0917	0
BOLT (Ref # 92154)	92154-3764	0
DAMPER (Ref # 92161)	92161-0356	0
DAMPER (Ref # 92161A)	92161-0951	0
SCREW,TAPPING,5X16 (Ref # 92172)	92172-0790	0
WASHER-PLAIN,6MM (Ref # 411)	411AA0600	0