

2018 NINJA® 400 ABS

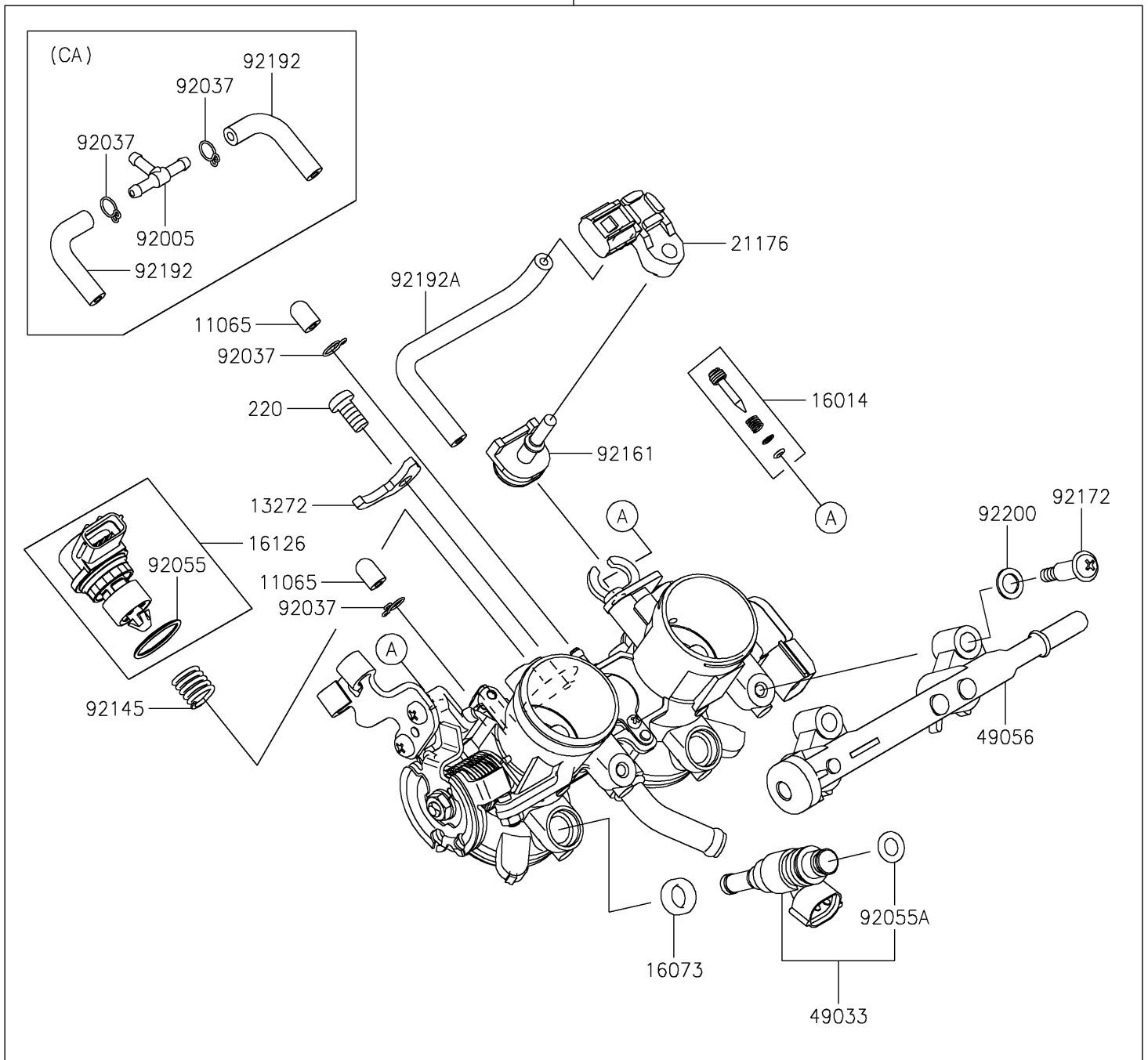
PARTS DIAGRAM

Throttle

E1510



16163/A



2018 NINJA® 400 ABS

PARTS LIST

Throttle

ITEM NAME	PART NUMBER	QUANTITY
PLATE (Ref # 13272)	13272-2558	0
SCREW-PILOT AIR (Ref # 16014)	16014-0022	0
INSULATOR (Ref # 16073)	16073-0866	0
VALVE,ISC (Ref # 16126)	16126-0748	0
THROTTLE-ASSY (Ref # 16163)	16163-0922	0
SENSOR,PRESSURE (Ref # 21176)	21176-0111	0
NOZZLE-INJECTION (Ref # 49033)	49033-0047	0
PIPE-INJECTION (Ref # 49056)	49056-0050	0
FITTING (Ref # 92005)	92005-1380	0
RING-O (Ref # 92055)	92055-0907	0
RING-O,REGULATOR-FUEL (Ref # 92055A)	92055-2187	0
SPRING (Ref # 92145)	92145-1826	0
DAMPER (Ref # 92161)	92161-0673	0
SCREW (Ref # 92172)	92172-1257	0
TUBE,3.5X7.5X55 (Ref # 92192)	92192-1349	0
TUBE (Ref # 92192A)	92192-1906	0
WASHER (Ref # 92200)	92200-3807	0
SCREW-PAN-CROS,6X12 (Ref # 220)	220AA0612	0