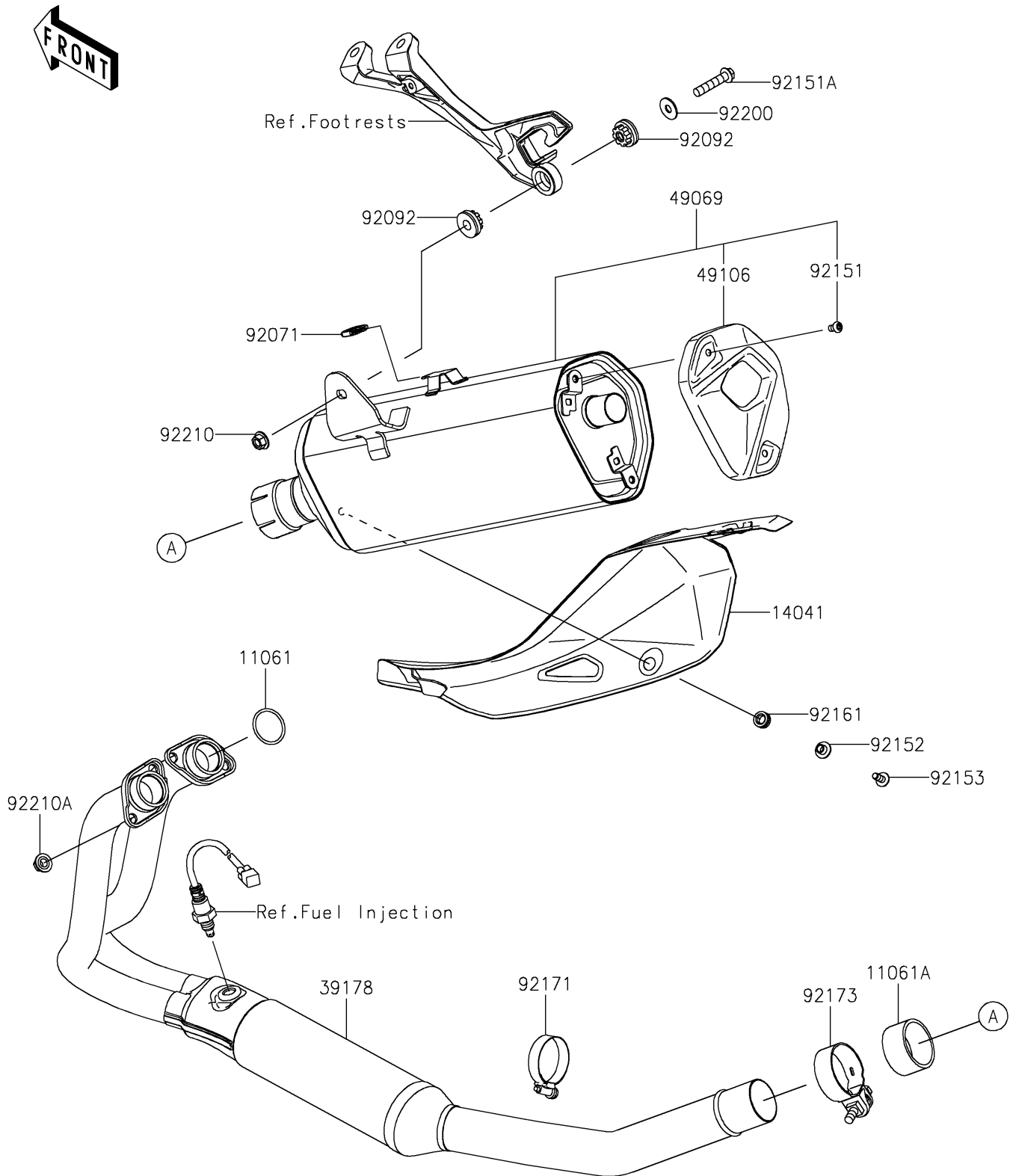


# 2018 NINJA® 400 ABS

## PARTS DIAGRAM

### Muffler(s)

E1140



# 2018 NINJA<sup>®</sup> 400 ABS

## PARTS LIST

### Muffler(s)

| ITEM NAME | PART NUMBER | QUANTITY |
|-----------|-------------|----------|
|-----------|-------------|----------|

---