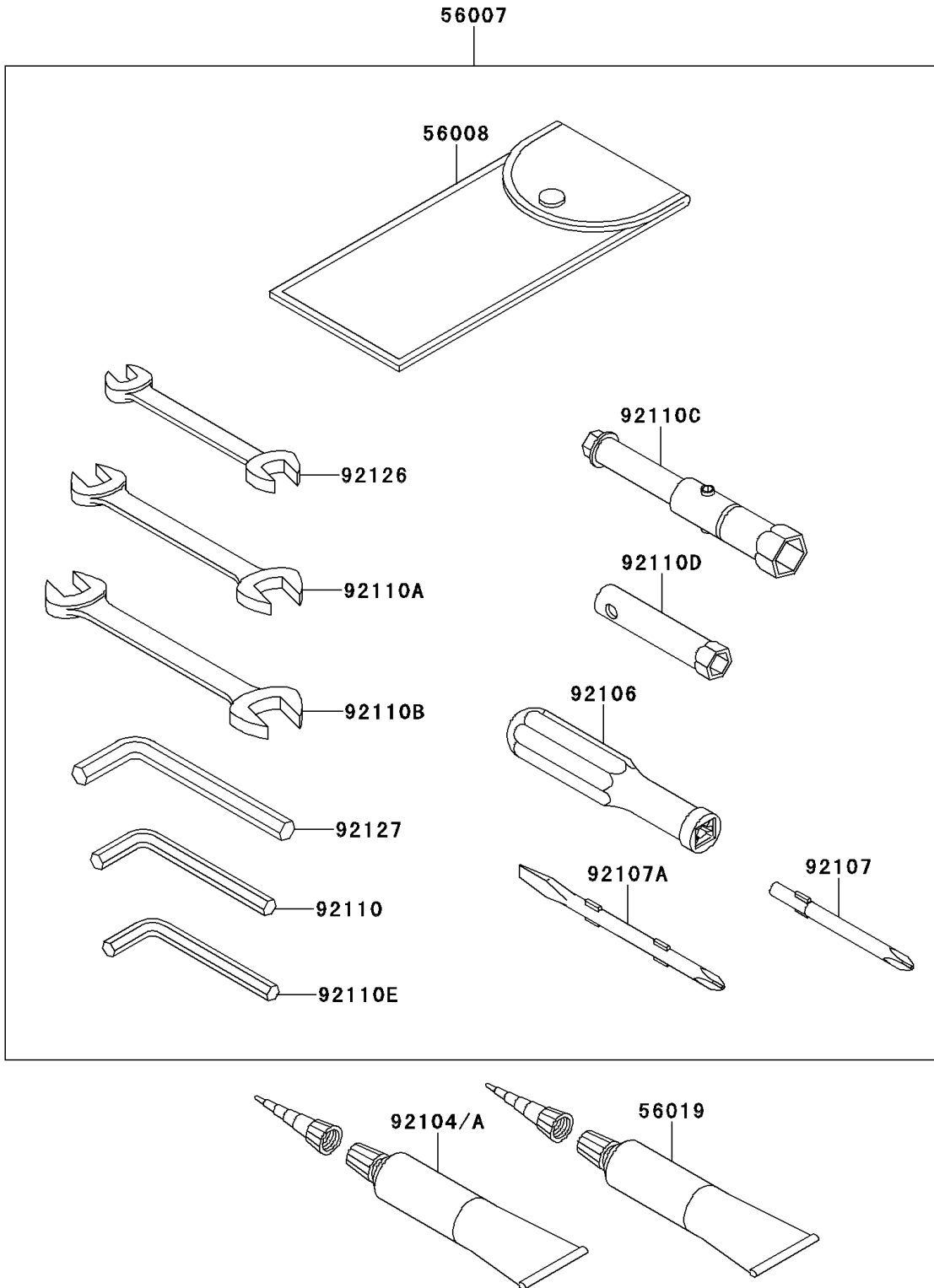


2009 Concours 14 ABS

PARTS DIAGRAM

Owner's Tools

F2810



2009 Concours 14 ABS

PARTS LIST

Owner's Tools

ITEM NAME

PART NUMBER

QUANTITY
