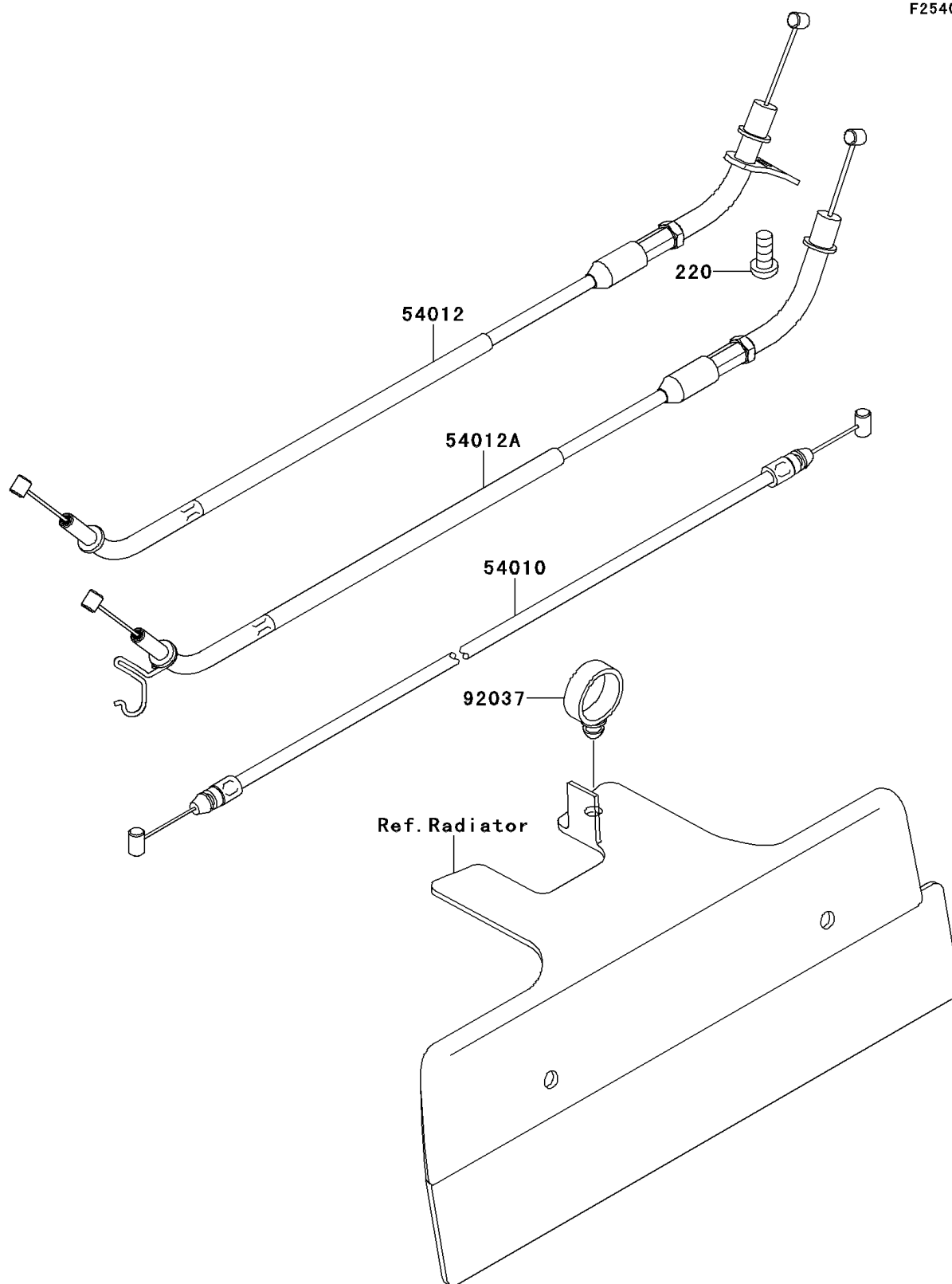


2009 Concours 14 ABS

PARTS DIAGRAM

Cables

F2540



2009 Concours 14 ABS

PARTS LIST

Cables

ITEM NAME

PART NUMBER

QUANTITY
