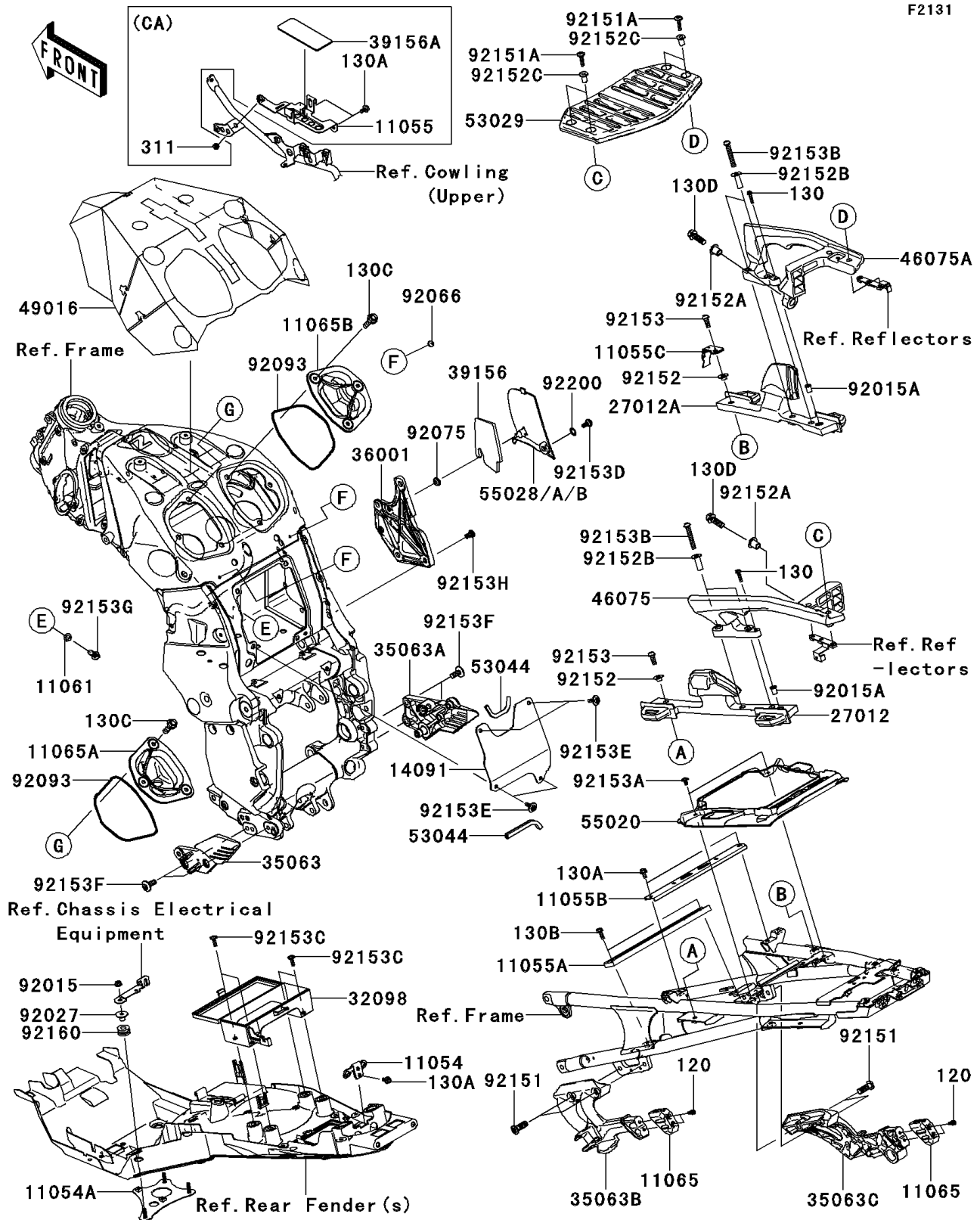


# 2009 Concours 14 ABS

## PARTS DIAGRAM

### Frame Fittings



# 2009 Concours 14 ABS

## PARTS LIST

### Frame Fittings

**ITEM NAME**

**PART NUMBER**

**QUANTITY**

---