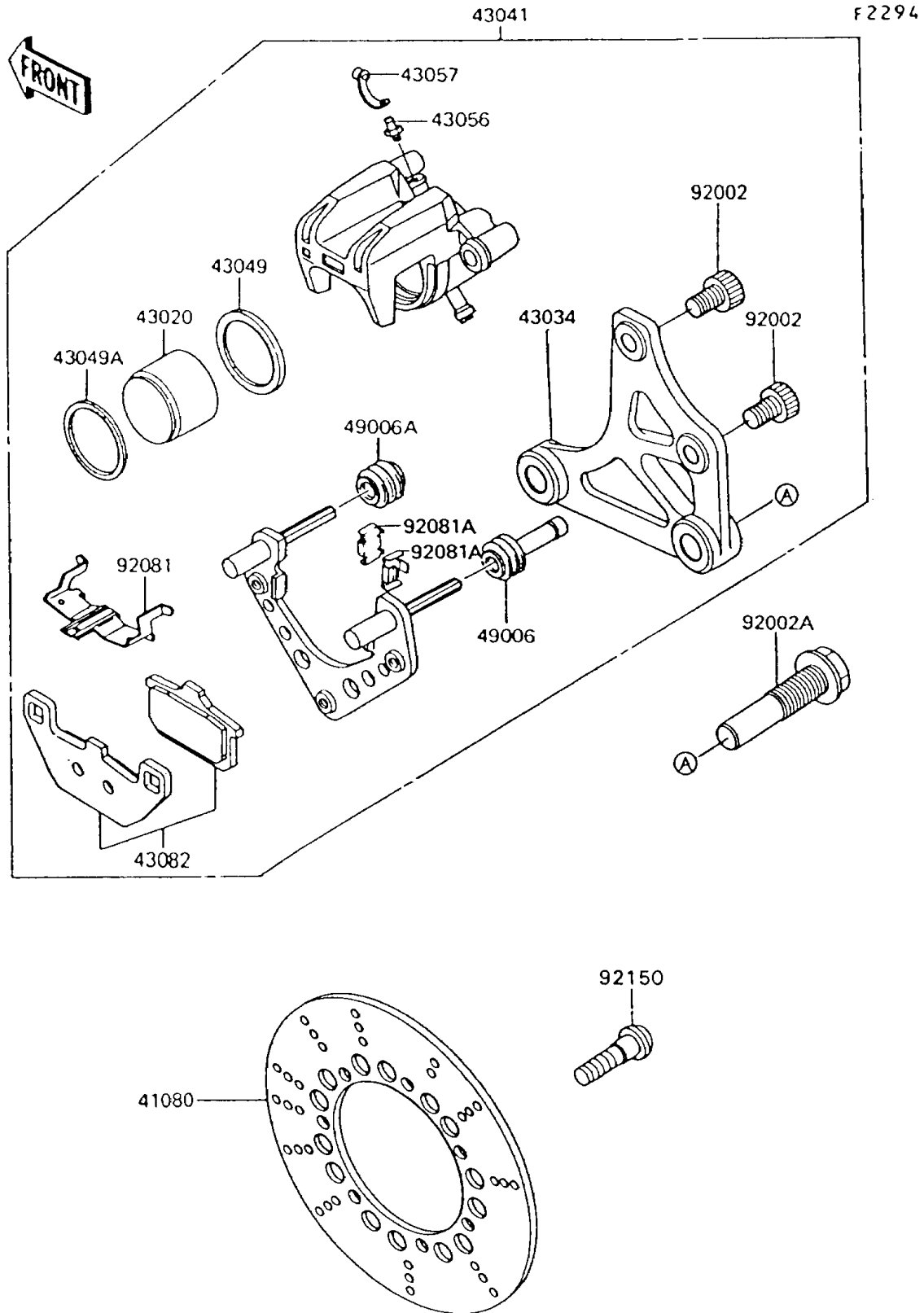


1993 Voyager XII

PARTS DIAGRAM

Rear Brake



1993 Voyager XII

PARTS LIST

Rear Brake

ITEM NAME

PART NUMBER

QUANTITY
