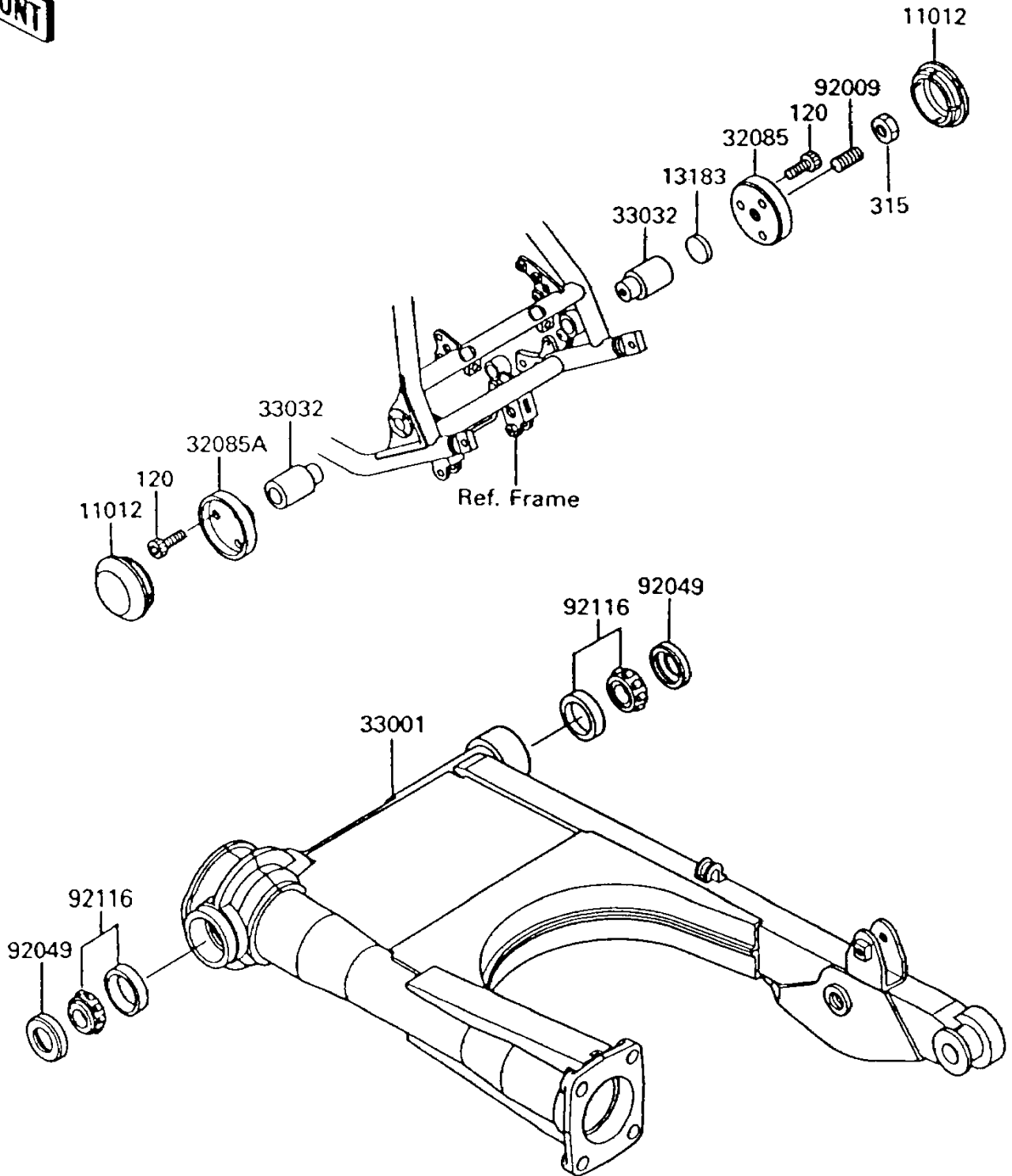


1993 Voyager XII

PARTS DIAGRAM

Swingarm

F2141



1993 Voyager XII

PARTS LIST

Swingarm

ITEM NAME

PART NUMBER

QUANTITY
