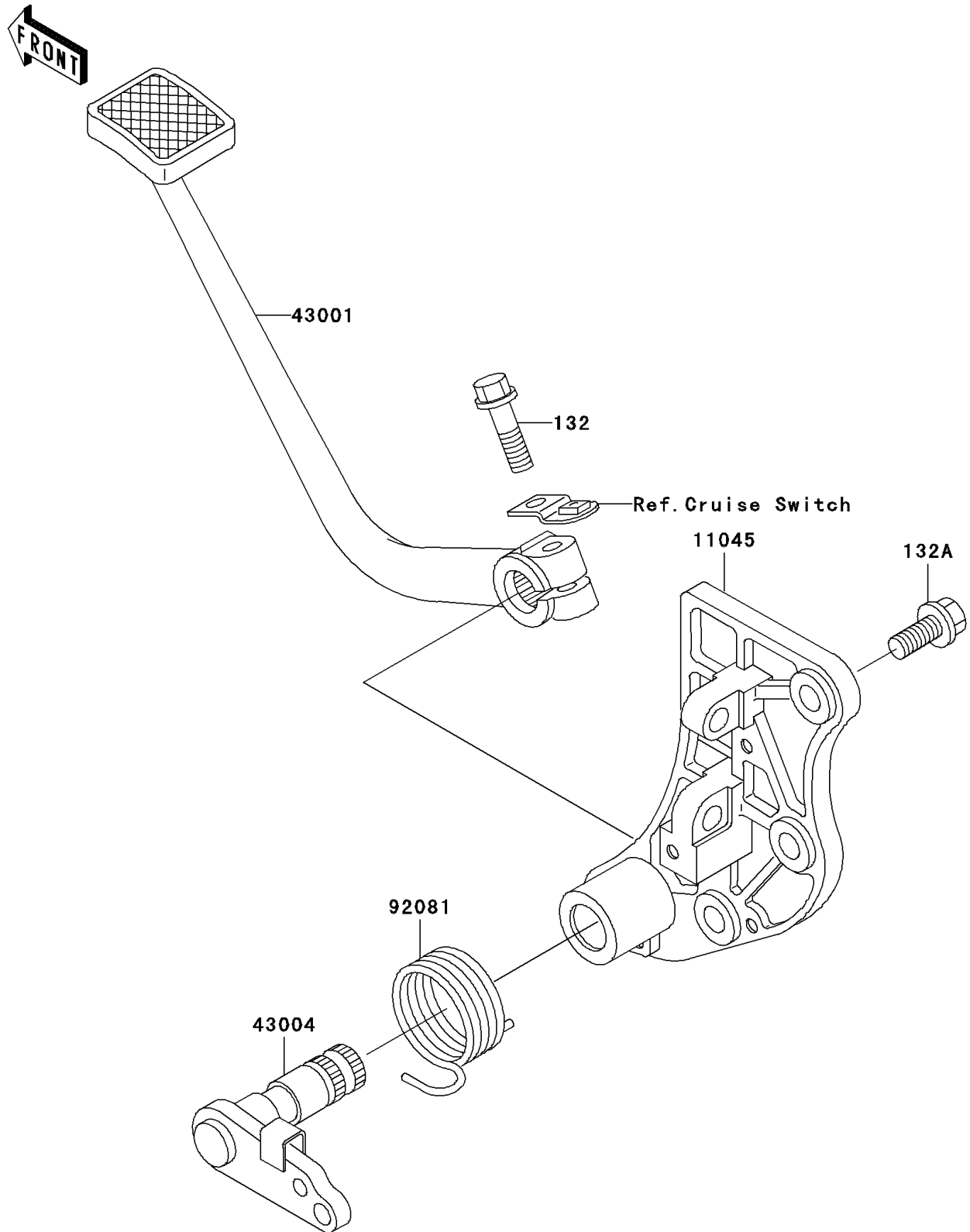


2002 Voyager XII

PARTS DIAGRAM

Brake Pedal/Torque Link

F2260



2002 Voyager XII

PARTS LIST

Brake Pedal/Torque Link

ITEM NAME

PART NUMBER

QUANTITY
