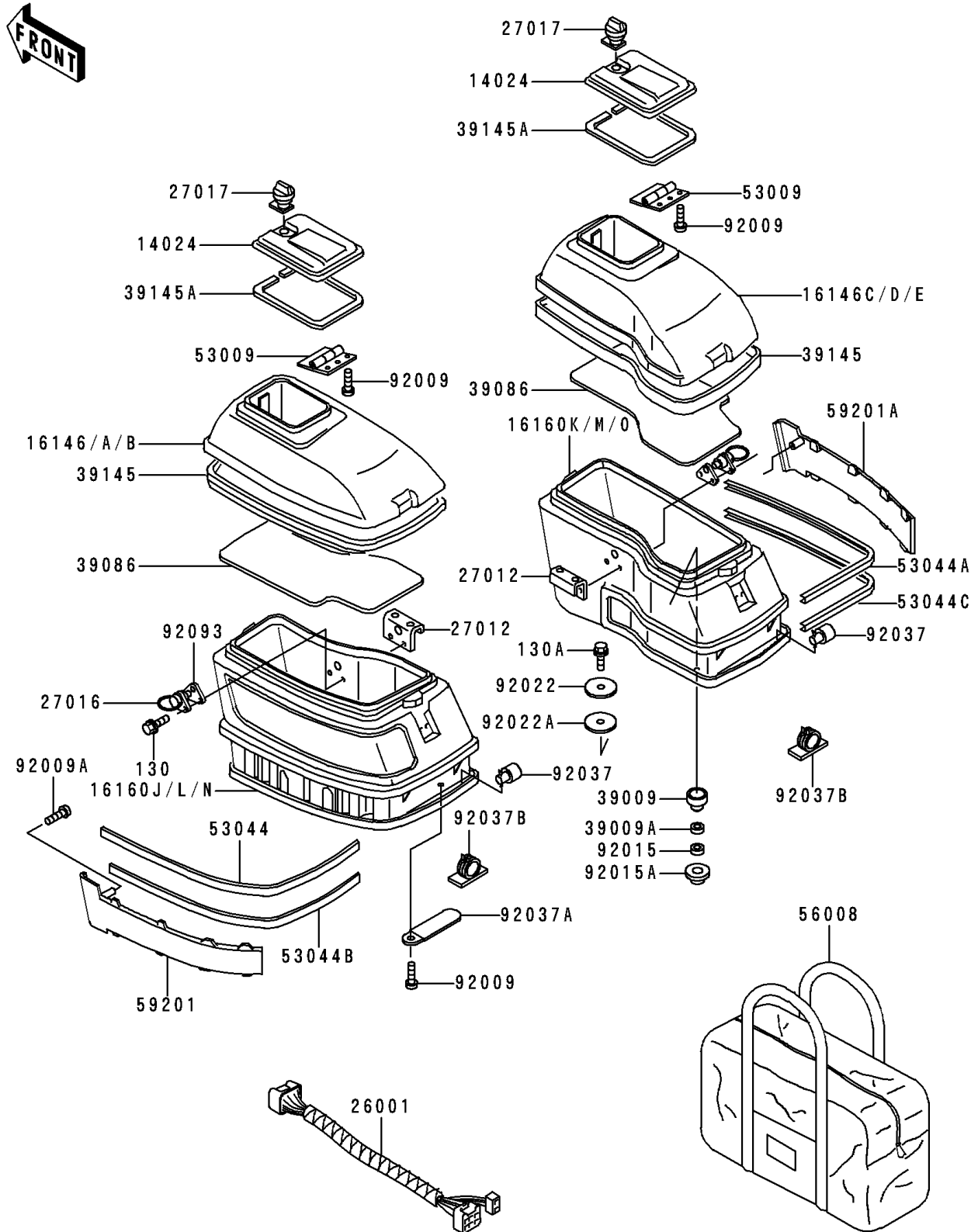


# 1996 Voyager XII

## PARTS DIAGRAM

### Accessory(Side Back)

F2910B



# 1996 Voyager XII

## PARTS LIST

Accessory(Side Back)

**ITEM NAME**

**PART NUMBER**

**QUANTITY**

---