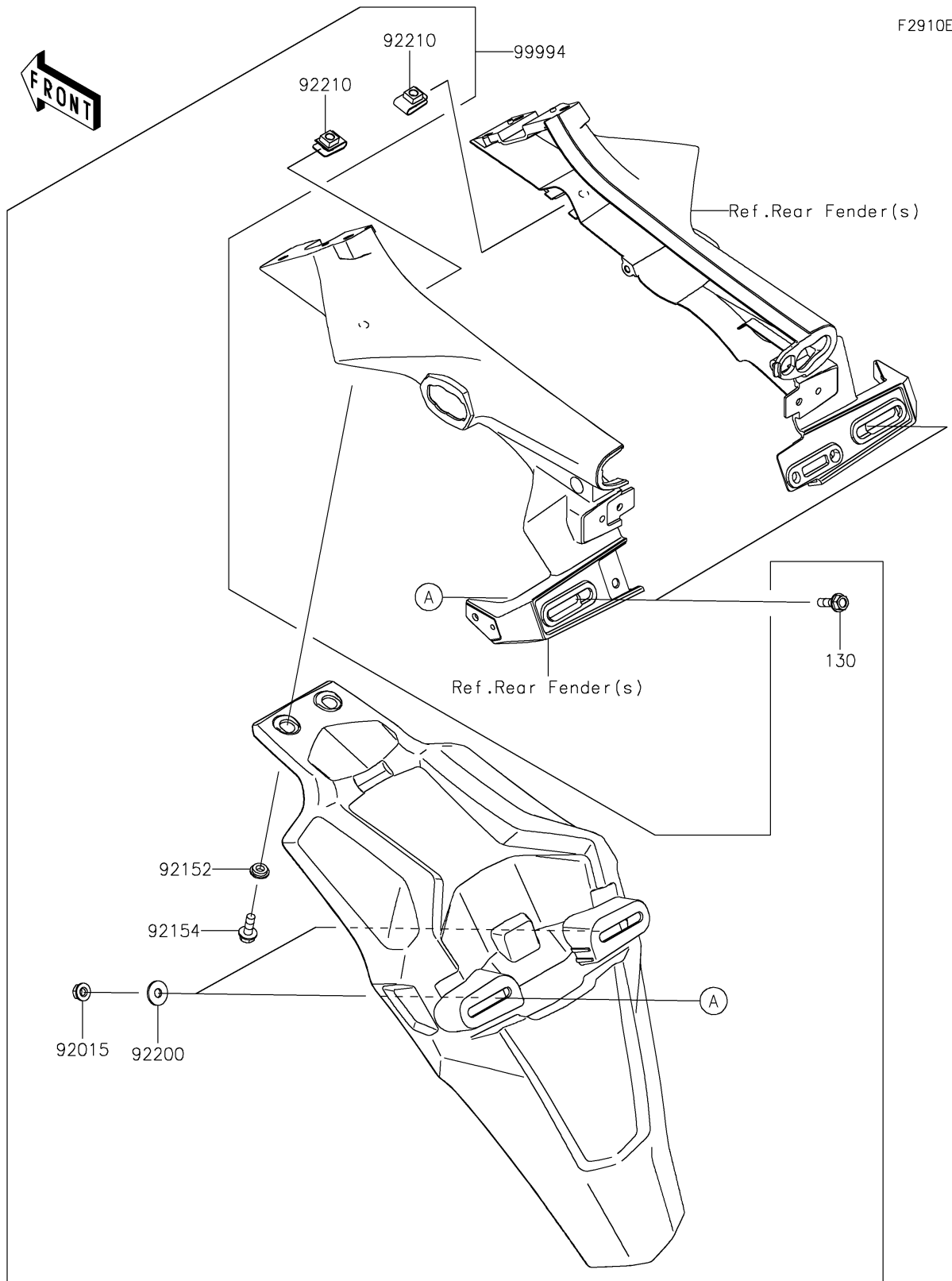


# 2024 Z900 SE

## PARTS DIAGRAM

### Accessory(Extended Flap)



# 2024 Z900 SE

## PARTS LIST

Accessory(Extended Flap)

**ITEM NAME**

**PART NUMBER**

**QUANTITY**

---