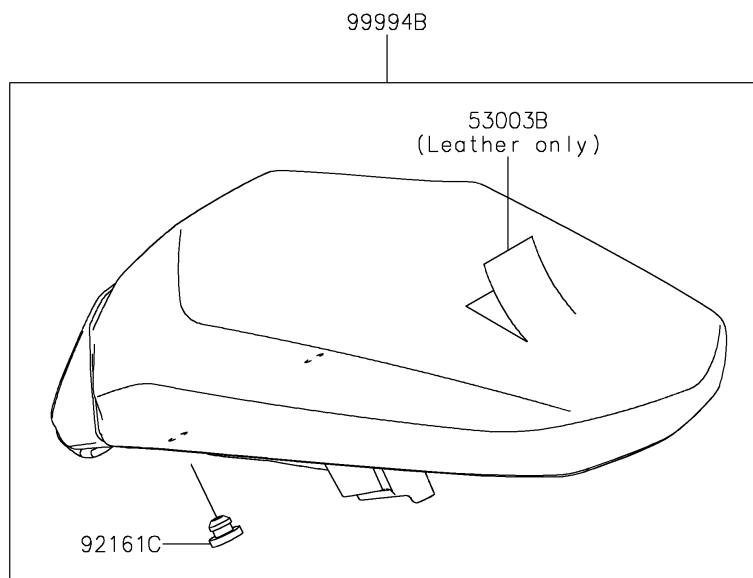
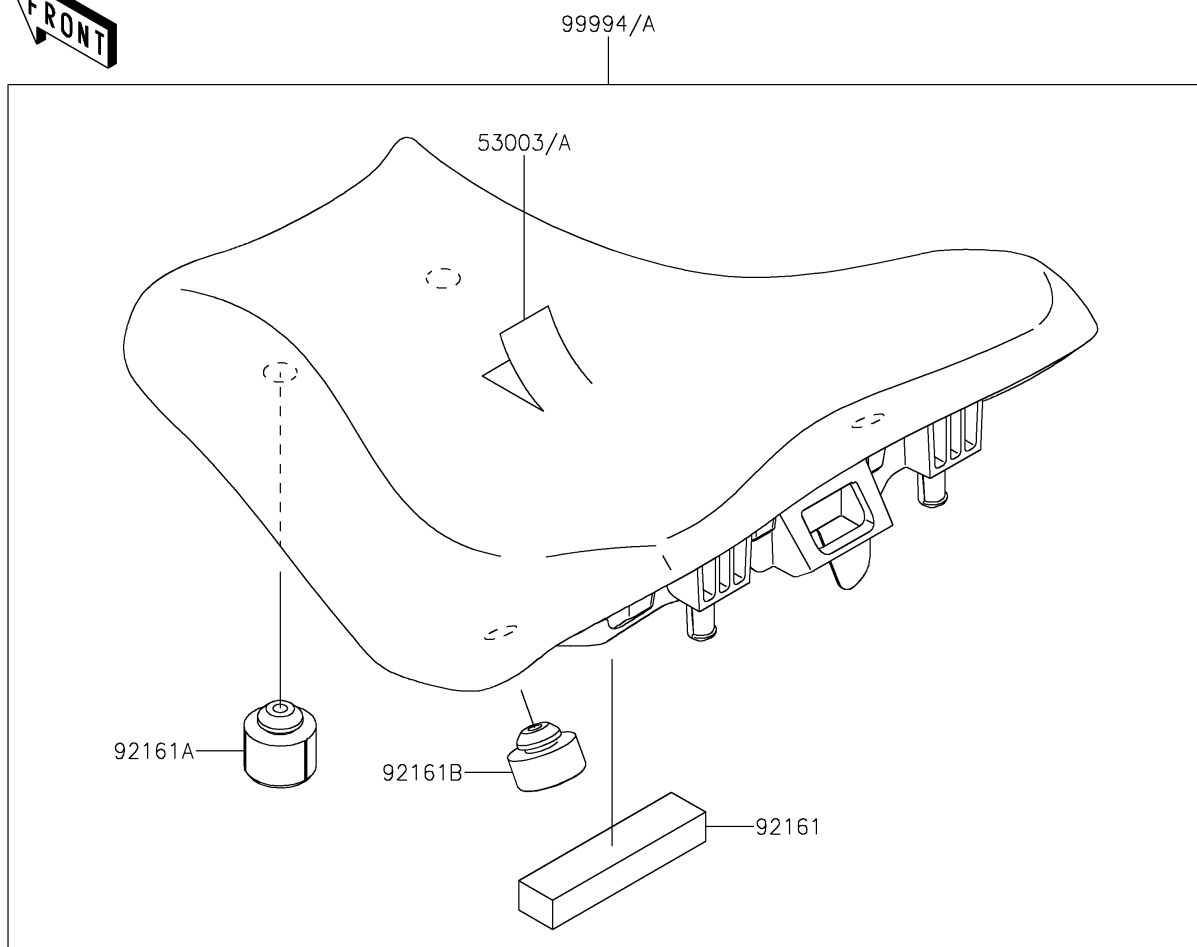


# 2024 Z900 ABS

## PARTS DIAGRAM

### Accessory(Seat)

F2910F



# 2024 Z900 ABS

## PARTS LIST

Accessory(Seat)

**ITEM NAME**

**PART NUMBER**

**QUANTITY**

---