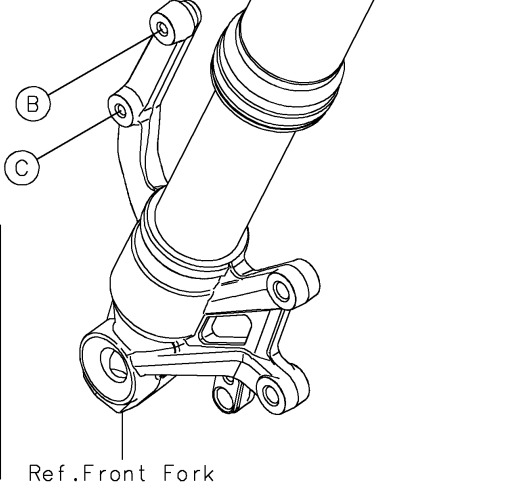
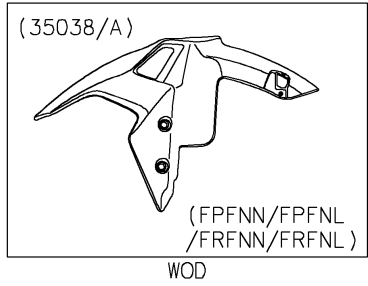
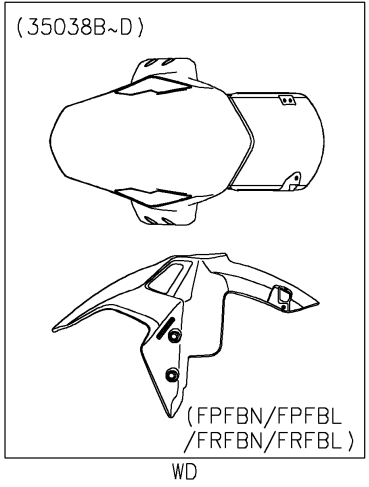
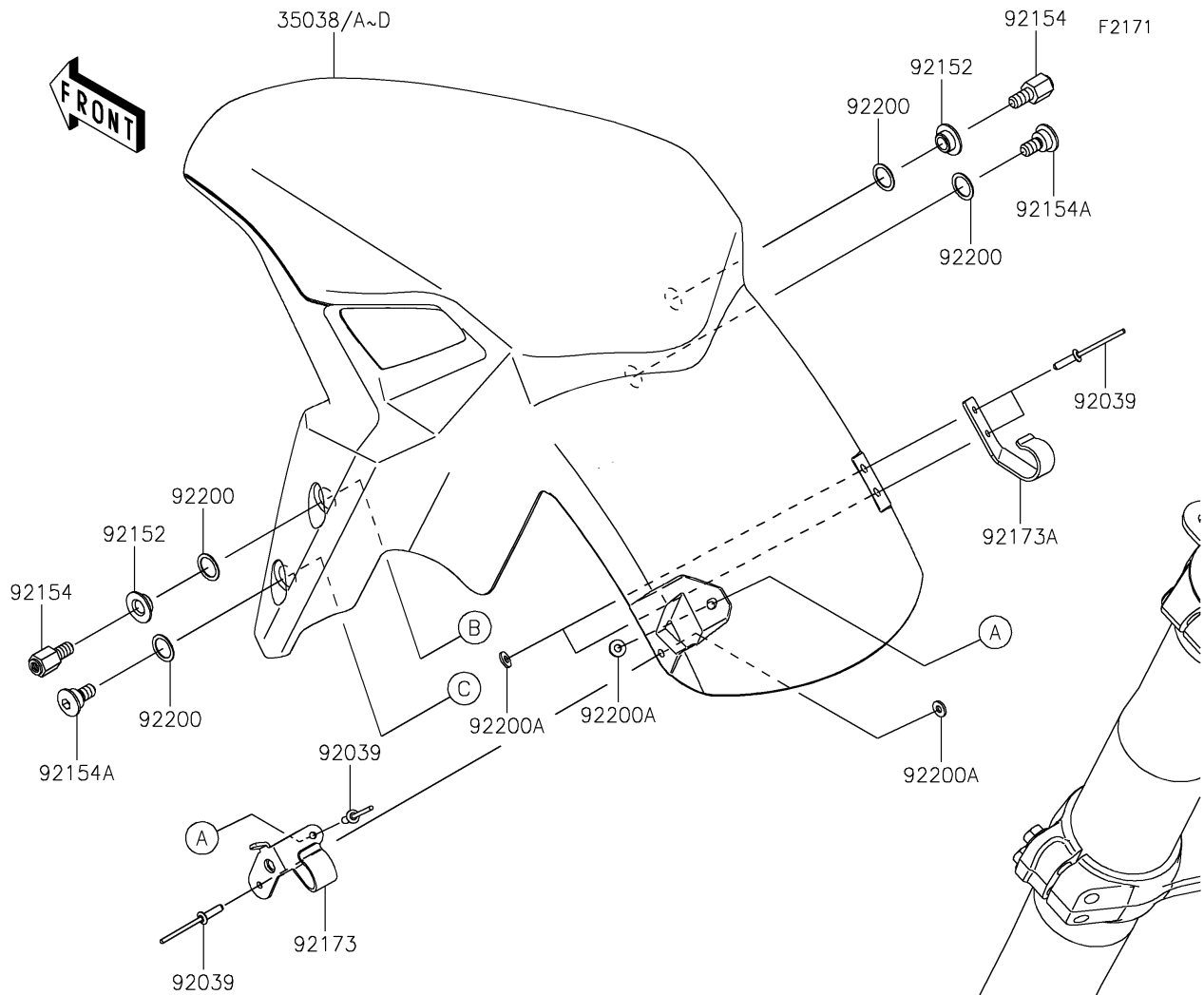


# 2024 Z900 ABS

## PARTS DIAGRAM

### Front Fender(s)



# 2024 Z900 ABS

## PARTS LIST

Front Fender(s)

**ITEM NAME**

**PART NUMBER**

**QUANTITY**

---