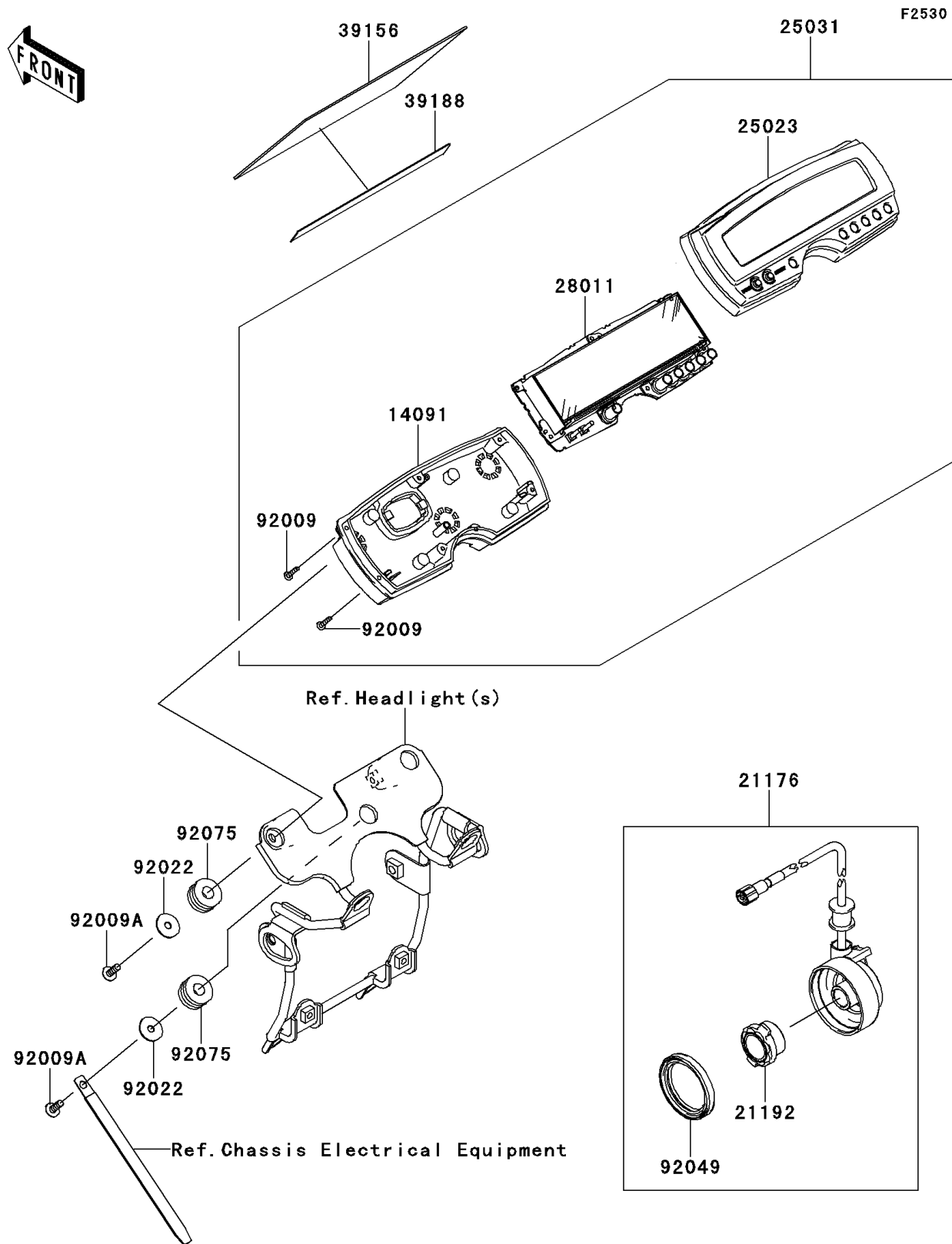


# 2010 KLX<sup>®</sup> 250S

## PARTS DIAGRAM

### Meter(s)



# 2010 KLX<sup>®</sup> 250S

## PARTS LIST

### Meter(s)

ITEM NAME	PART NUMBER	QUANTITY
COVER,METER,LWR (Ref # 14091)	14091-0874	1
SENSOR,SPEED (Ref # 21176)	21176-0120	1
MAGNET,SPEED SENSOR (Ref # 21192)	21192-0004	1
COVER-METER CASE,UPP (Ref # 25023)	25023-0036	1
METER-ASSY,LCD (Ref # 25031)	25031-0171	1
METER,LCD (Ref # 28011)	28011-0108	1
PAD,HEAD LAMP (Ref # 39156)	39156-0478	1
TAPE (Ref # 39188)	39188-0012	1
SCREW,TAPPING,3X16 (Ref # 92009)	92009-1164	7
SCREW,TAPPING,5X14 (Ref # 92009A)	92009-1197	3
WASHER,5.5X20X1.2 (Ref # 92022)	92022-104	3
SEAL-OIL,METER GEAR CASE (Ref # 92049)	92049-1172	1
DAMPER (Ref # 92075)	92075-1690	3