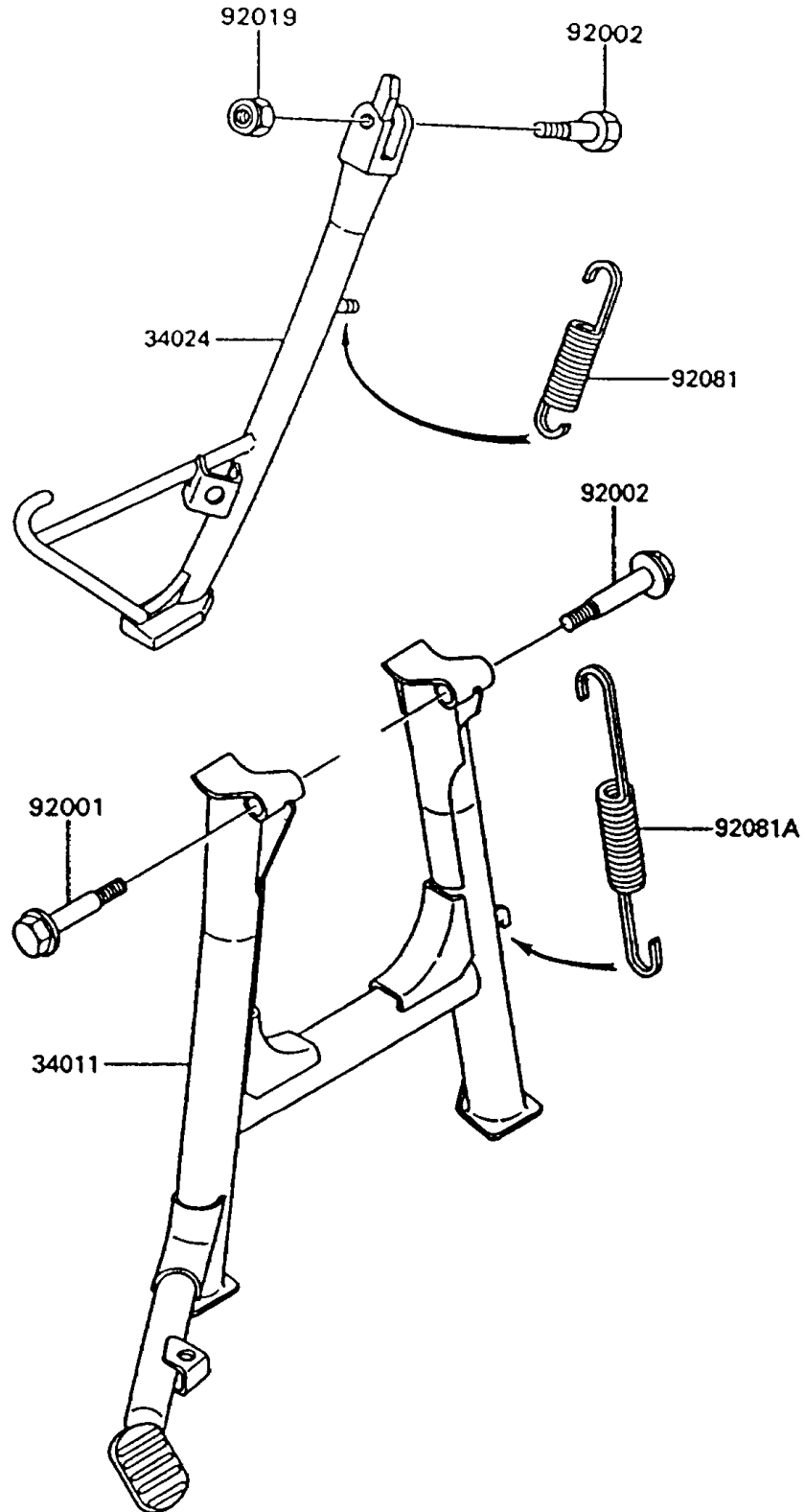


# 1992 Concours

## PARTS DIAGRAM

### Stand(s)

F2190



# 1992 Concours

## PARTS LIST

Stand(s)

**ITEM NAME**

**PART NUMBER**

**QUANTITY**

---