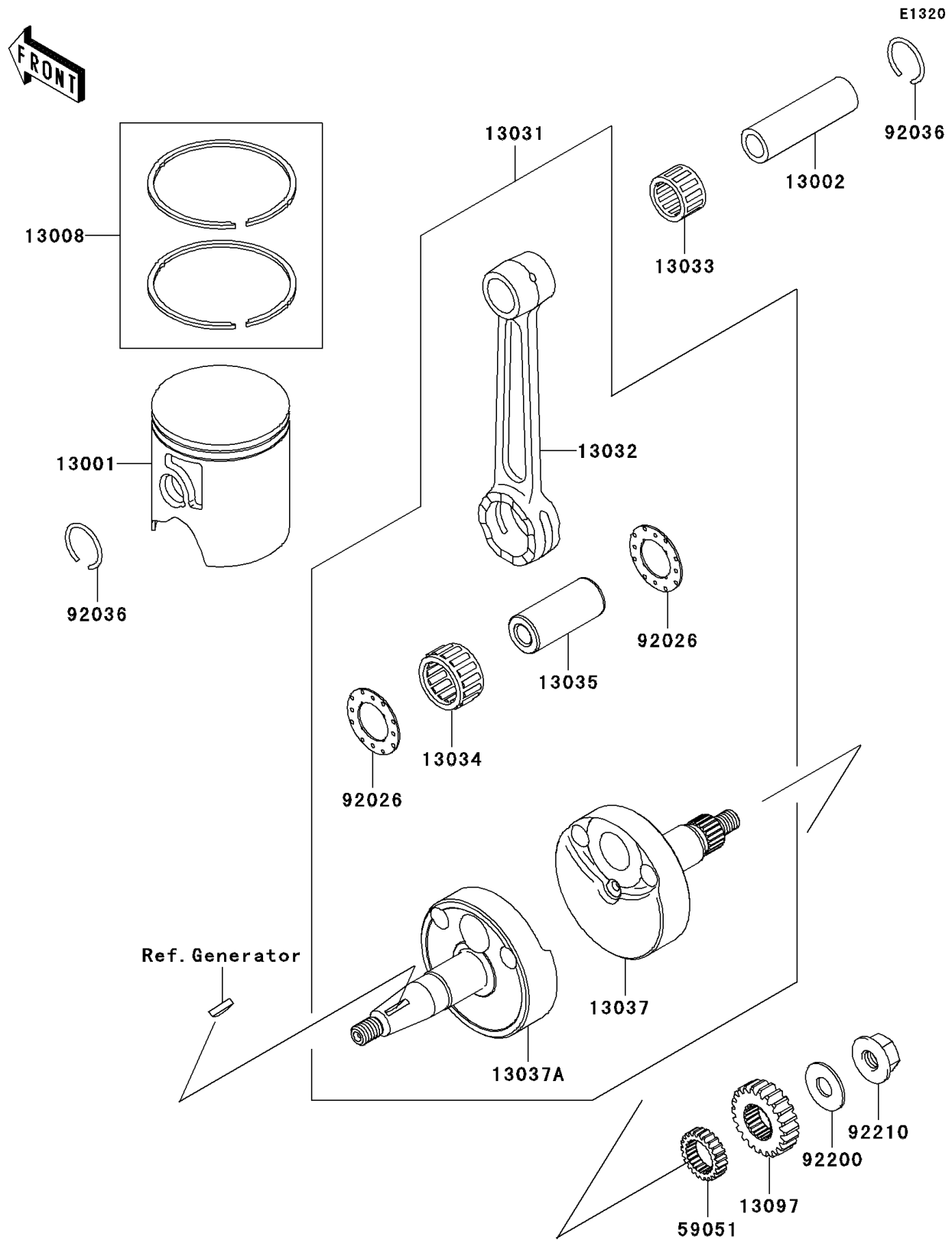


# 2009 KX™ 65

## PARTS DIAGRAM

### Crankshaft/Piston(s)



# 2009 KX™ 65

## PARTS LIST

### Crankshaft/Piston(s)

**ITEM NAME**

**PART NUMBER**

**QUANTITY**

---