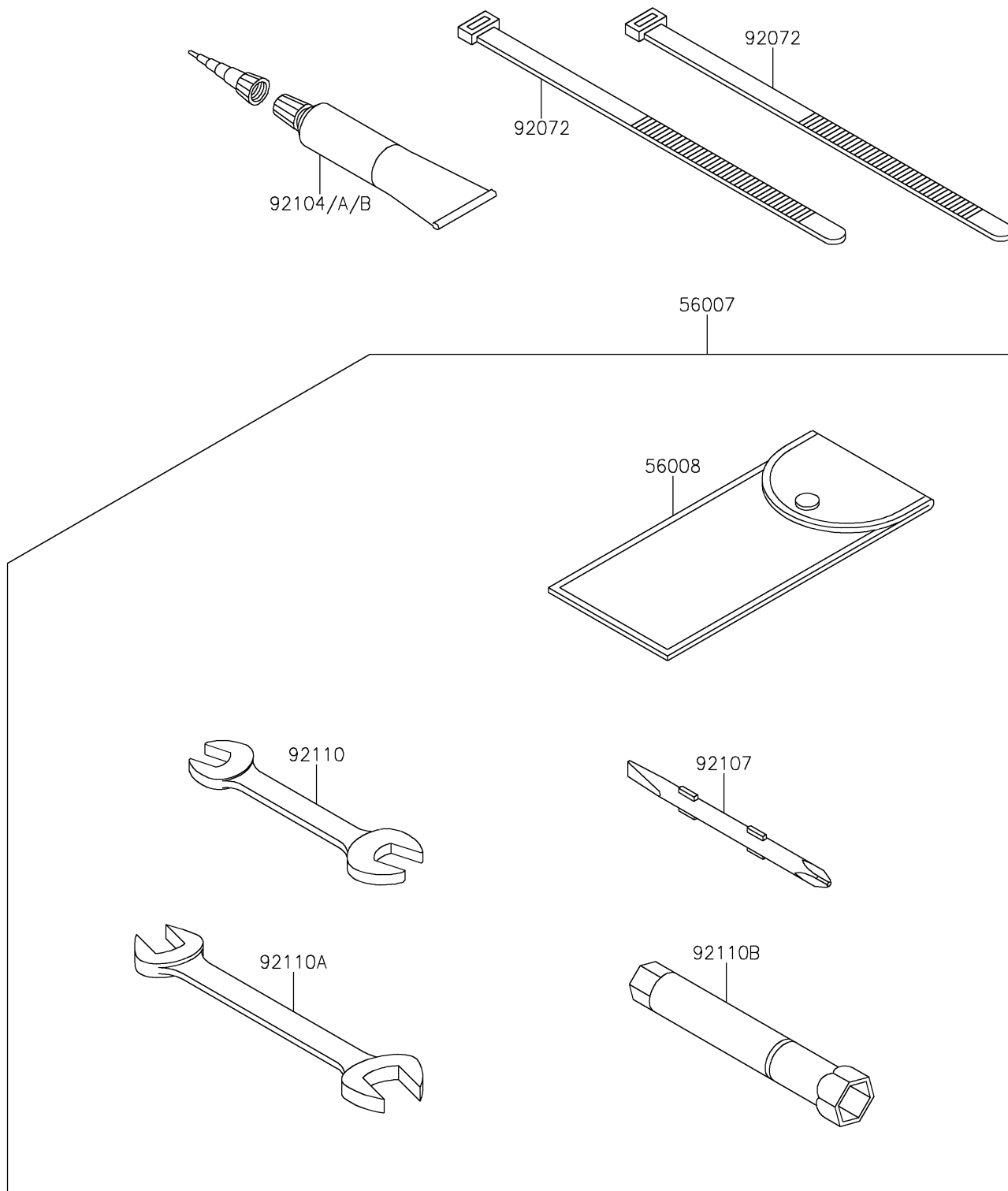


2023 JET SKI® ULTRA® 310LX-S

PARTS DIAGRAM

Owner's Tools

F3182



2023 JET SKI® ULTRA® 310LX-S



PARTS LIST Owner's Tools

ITEM NAME	PART NUMBER	QUANTITY
-----------	-------------	----------
