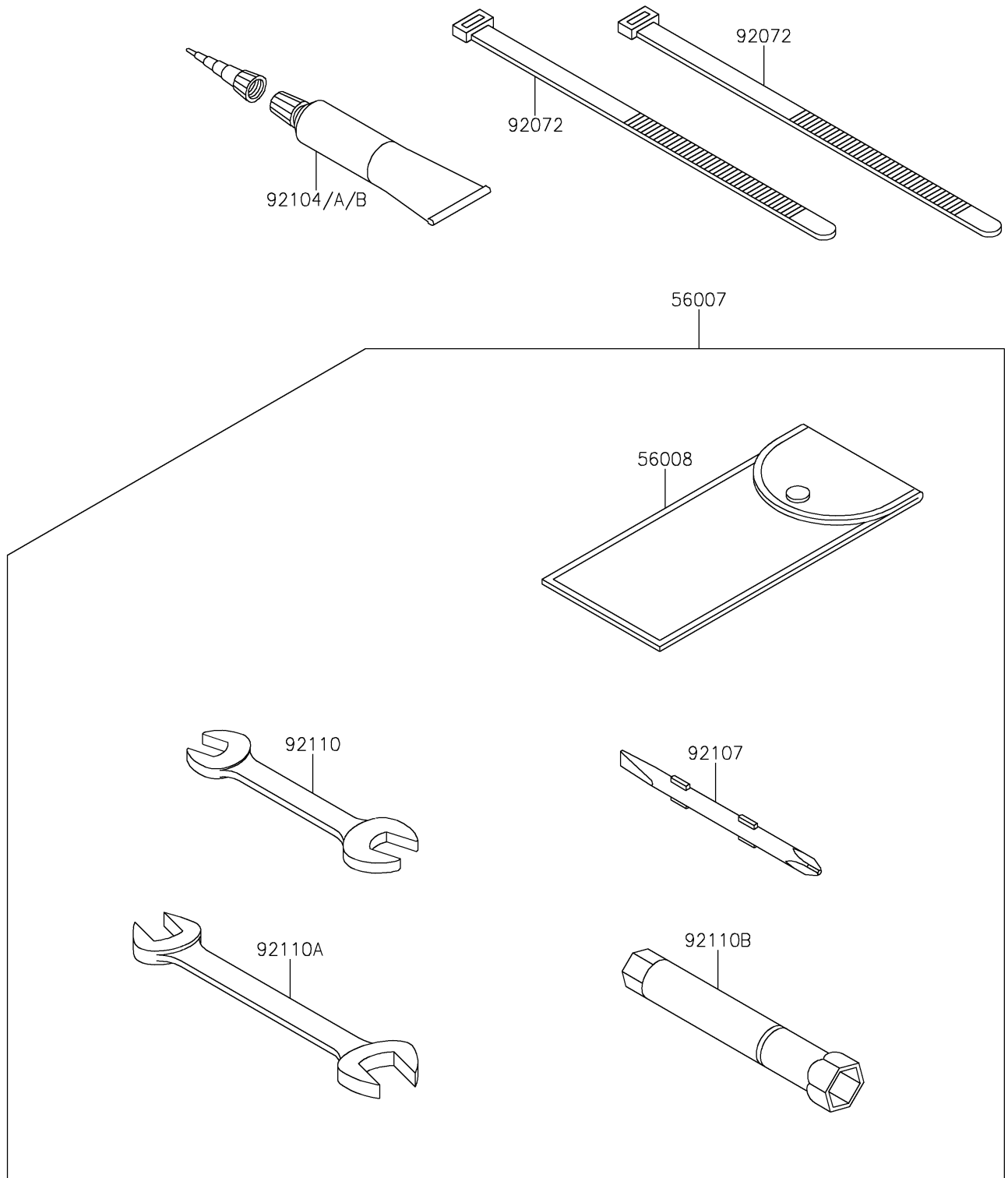


# 2022 JET SKI® ULTRA® 310LX-S

## PARTS DIAGRAM

### Owner's Tools

F3182



# 2022 JET SKI® ULTRA® 310LX-S

## PARTS LIST Owner's Tools



| ITEM NAME | PART NUMBER | QUANTITY |
|-----------|-------------|----------|
|-----------|-------------|----------|

---