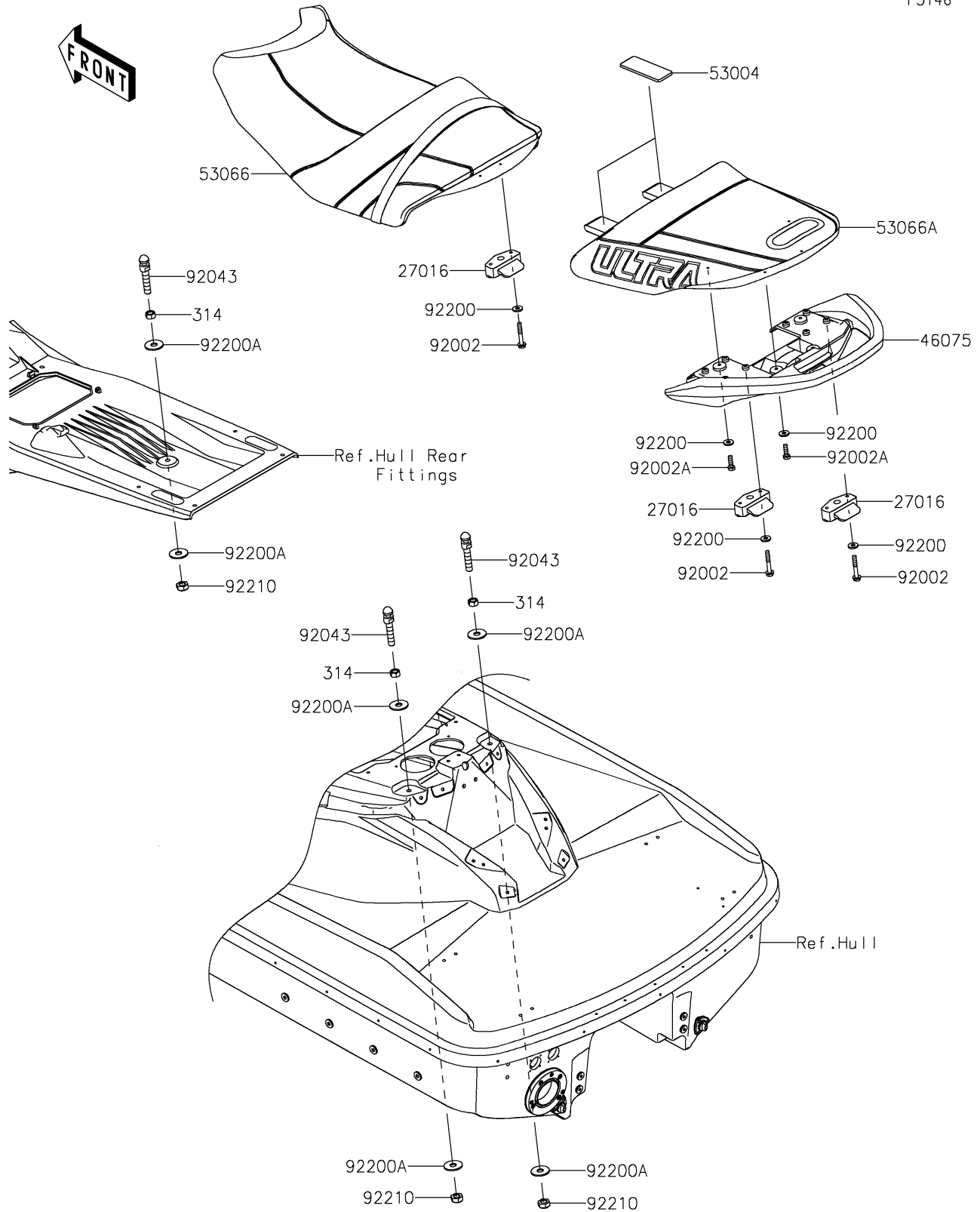


# 2023 JET SKI® ULTRA® 310LX-S

## PARTS DIAGRAM

### Seat

F3146



# 2023 JET SKI® ULTRA® 310LX-S

## PARTS LIST

### Seat

ITEM NAME	PART NUMBER	QUANTITY
LOCK-ASSY,SEAT,FR&RR (Ref # 27016)	27016-3758	3
GRIP,RR (Ref # 46075)	46075-0656	1
MAT,50X135X6 (Ref # 53004)	53004-0694	2
SEAT-ASSY,FR,BLACK+GRN+SIL (Ref # 53066)	53066-0804-64Y	1
SEAT-ASSY,RR,N.L.GREEN+BLK (Ref # 53066A)	53066-0807-13R	1
BOLT,6X40 (Ref # 92002)	92002-3716	6
BOLT,6X20 (Ref # 92002A)	92002-3755	4
PIN (Ref # 92043)	92043-3763	3
WASHER,6.5X16X2.0 (Ref # 92200)	92200-1543	10
WASHER (Ref # 92200A)	92200-3762	6
NUT,LOCK,10MM (Ref # 92210)	92210-3792	3
NUT-HEX-FINE,10MM (Ref # 314)	314R1000	3