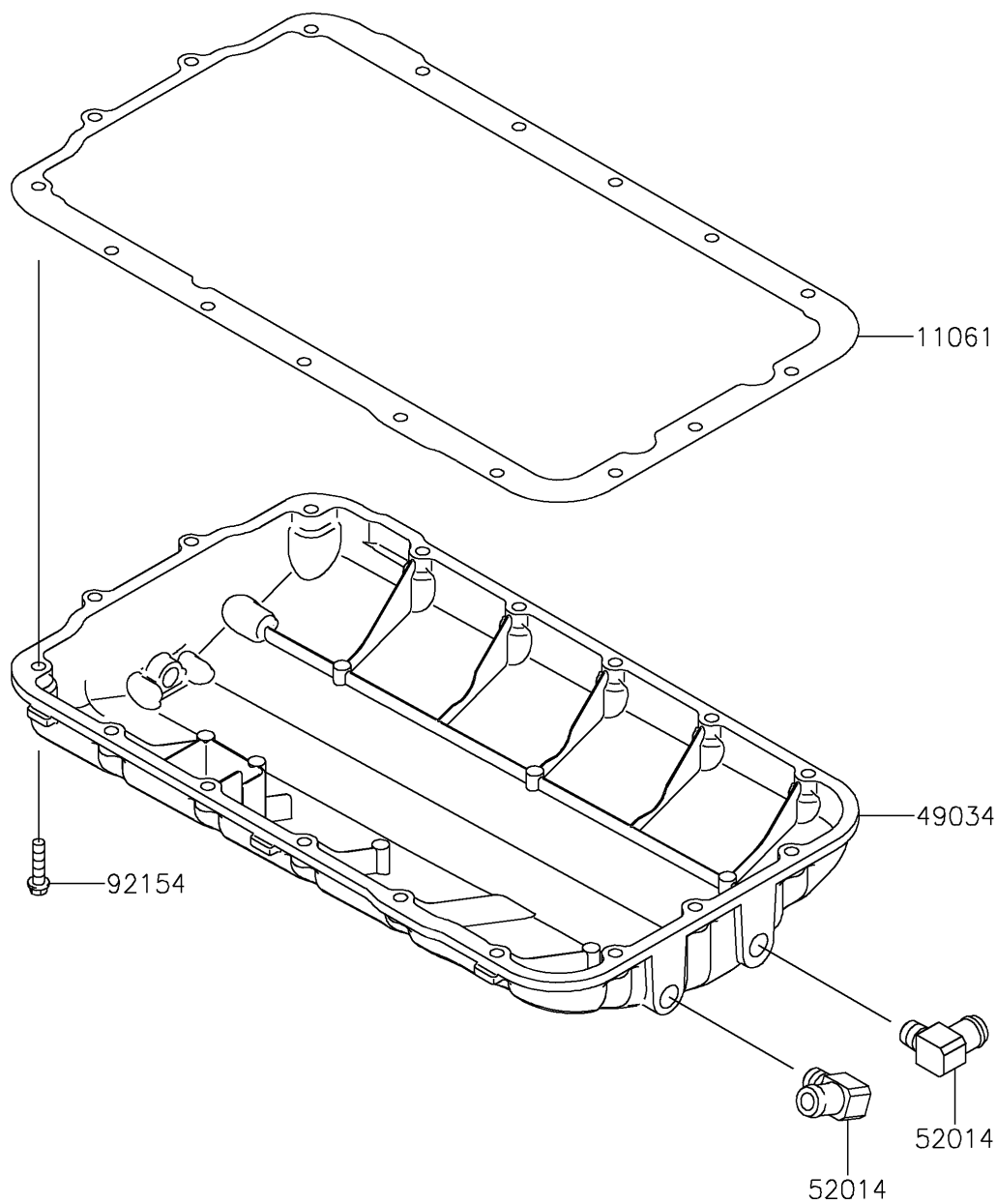


# 2022 JET SKI® ULTRA® 310LX-S

## PARTS DIAGRAM

### Oil Pan

E1434



# 2022 JET SKI® ULTRA® 310LX-S

## PARTS LIST

Oil Pan

ITEM NAME	PART NUMBER	QUANTITY
-----------	-------------	----------

---